



NEDCON SMART STANDARD RANGE PALLET RACKING

<b>EN</b>	Smart Standard Range - Pallet Racking	Assembly instructions
<b>D</b>	Smart Standard Range - Palettenregal	Anweisungen für die Montage
<b>NL</b>	Smart Standard Range - Palletstelling	Montage instructies
<b>CZ</b>	Smart Standard Range - Paletový regál	Návod k montáži
<b>F</b>	Smart Standard Range - Rayonnages à palettes	Notice technique d'assemblage



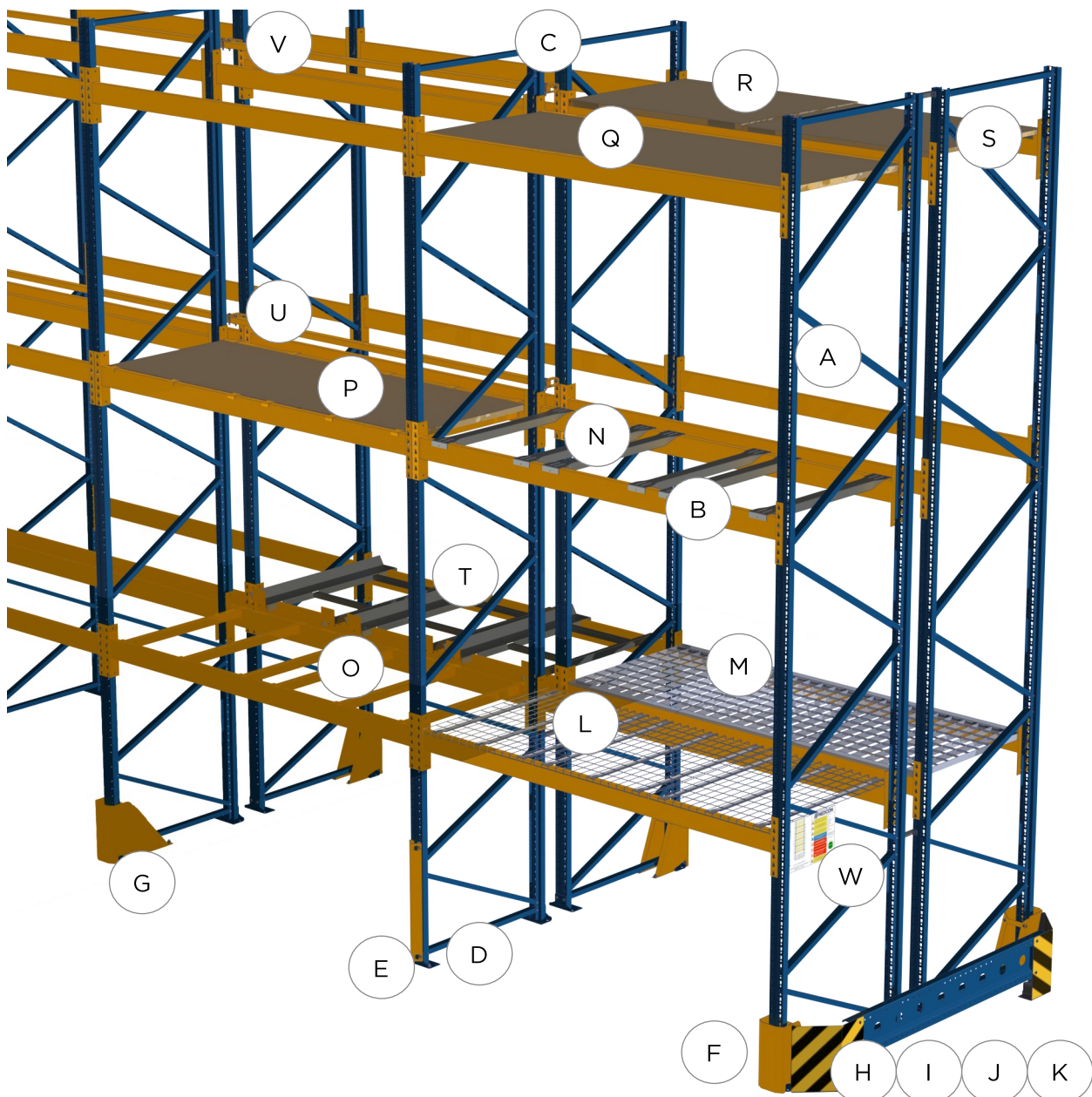
**EN** Protective clothing must be worn during assembly, disassembly and conversion work


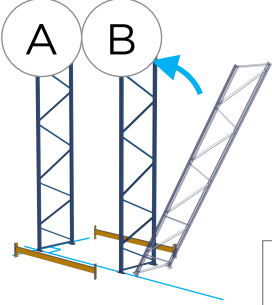
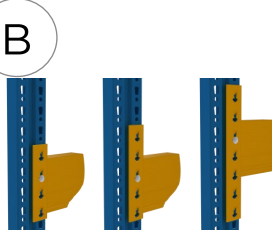

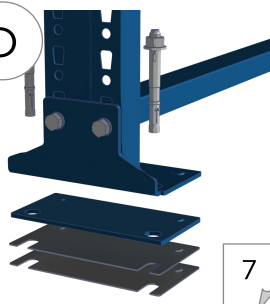
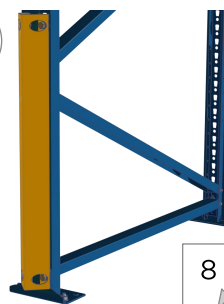
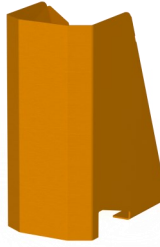
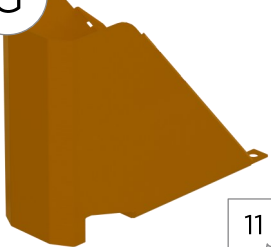
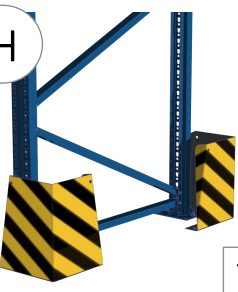
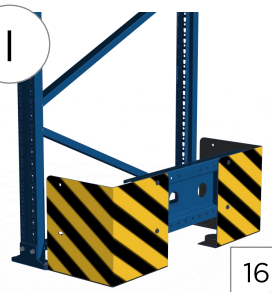


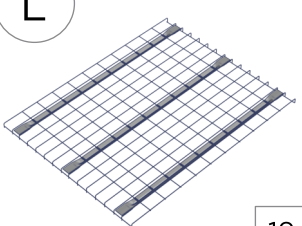
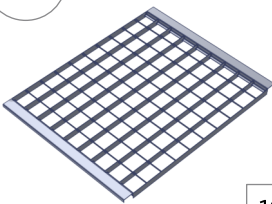
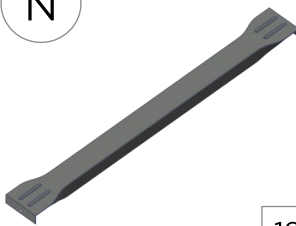
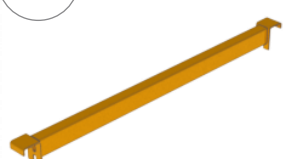

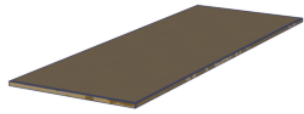
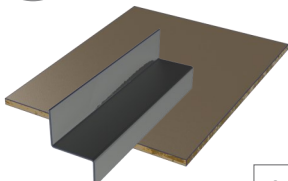
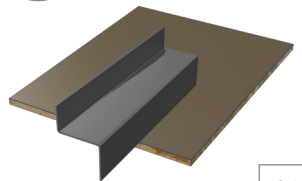
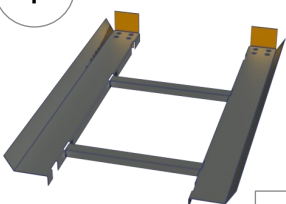
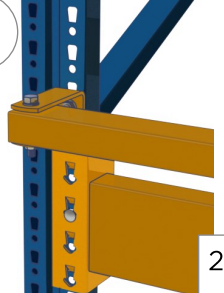
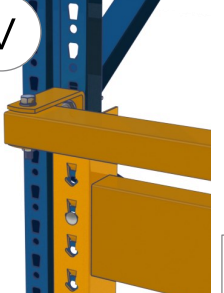
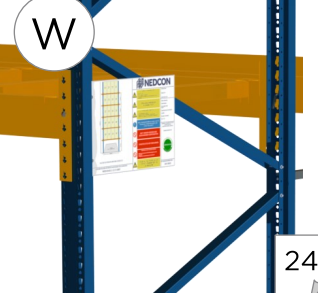
**D** Sicherheitsausrüstung muss bei Montage-, Demontage- und Änderungsarbeiten benutzt werden

**NL** Persoonlijke beschermingsmiddelen moeten gebruikt worden bij montage-, de-montage- en wijzigingswerkzaamheden

**CZ** Ochranný oděv popsaný níže musí být použit při montáži, demontáži a přestavbě

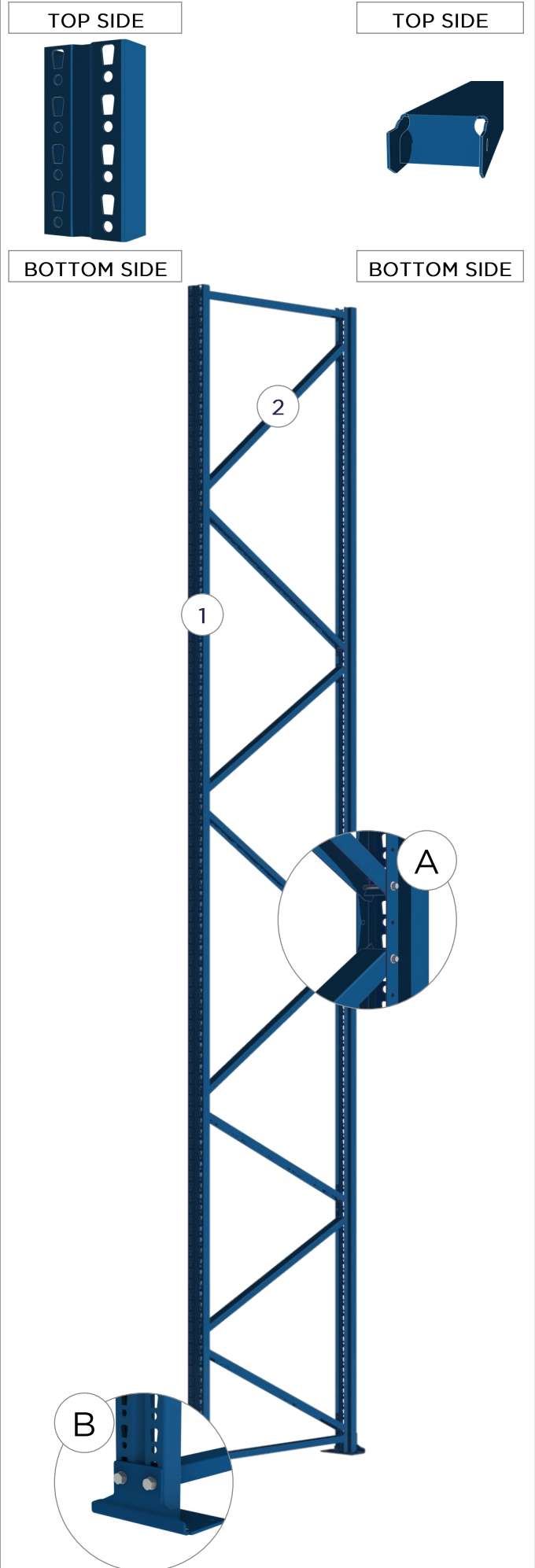
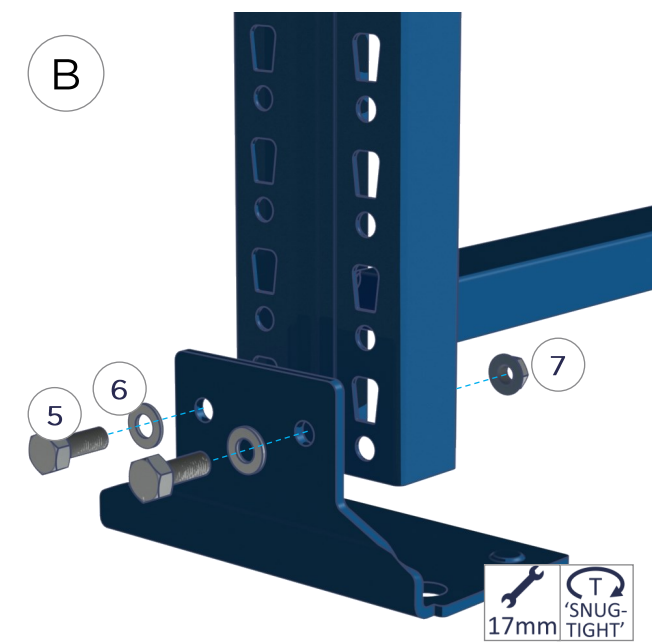
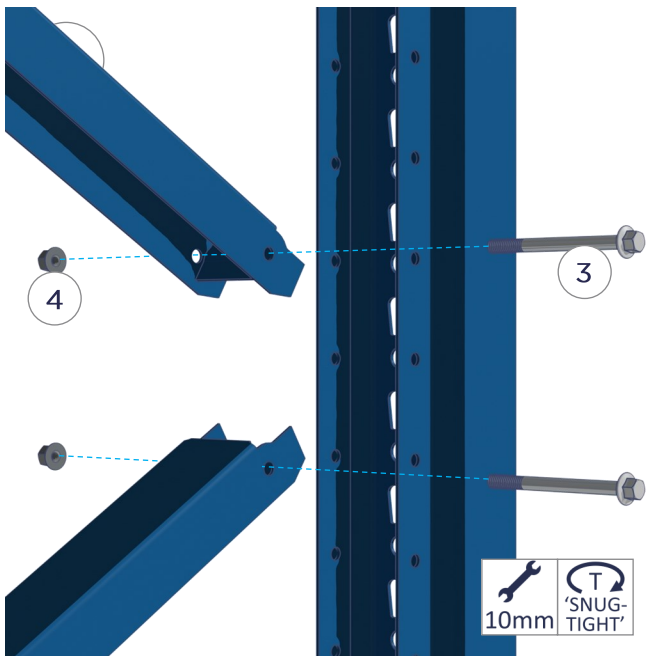
**F** Les équipements de sécurité suivants doivent être impérativement utilisés lors des travaux de montage - démontage et de modification des rayonnages



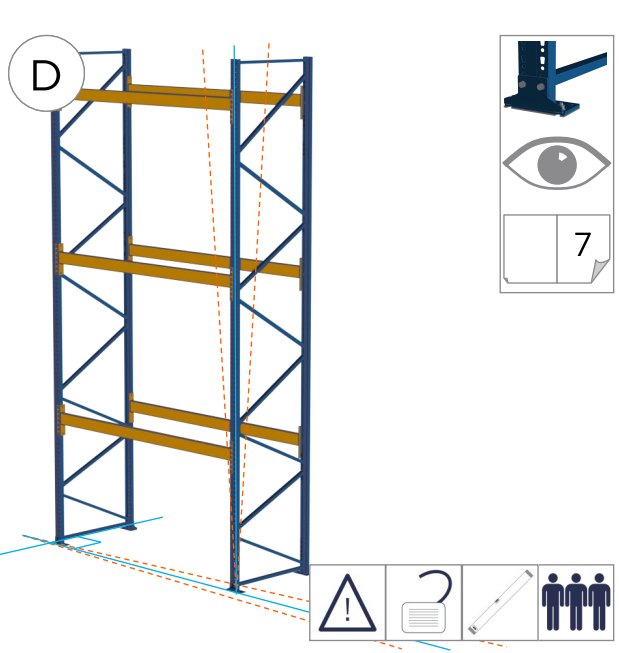
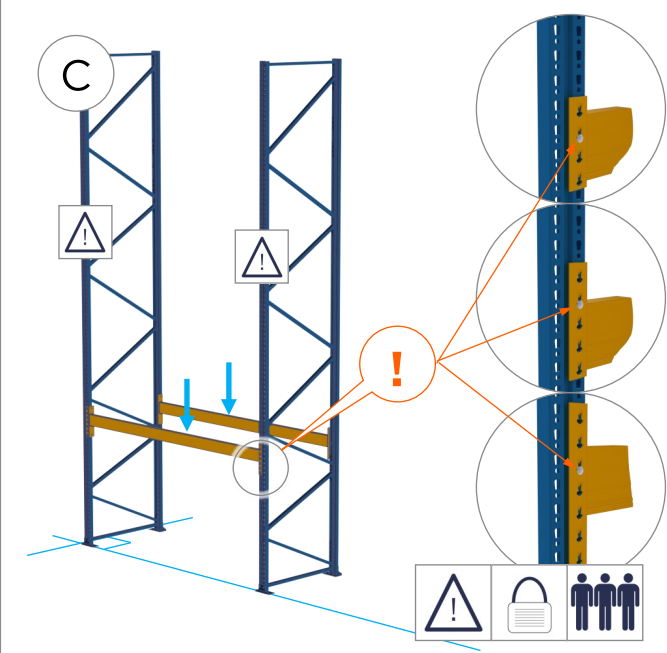
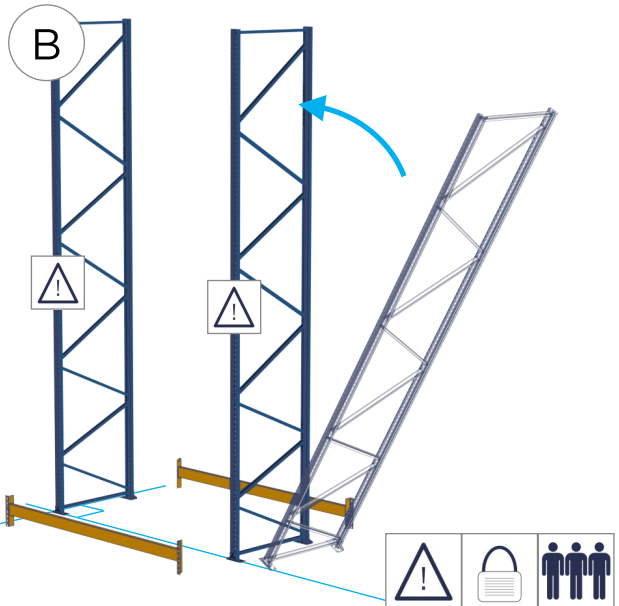
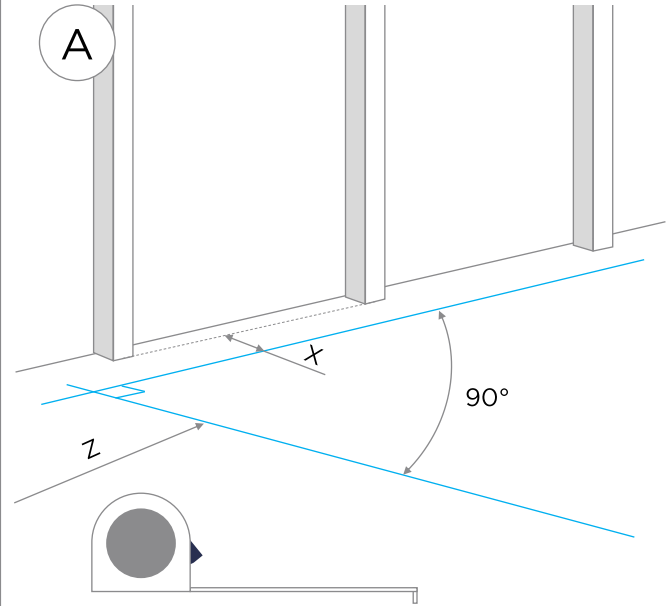
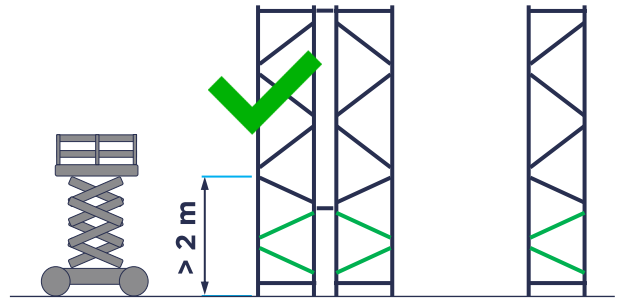
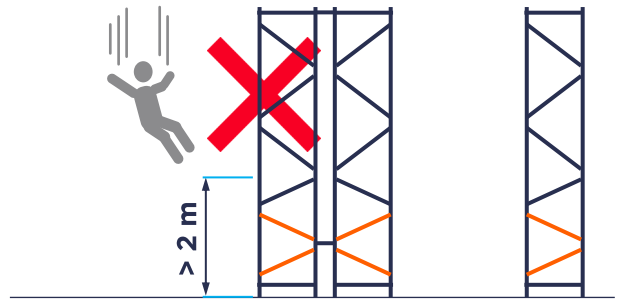
<p>A</p>  <p>4</p>	<p>A B</p>  <p>5</p>	<p>B</p>  <p>5</p>	<p>C</p>  <p>6</p>
<p>D</p>  <p>7</p>	<p>E</p>  <p>8</p>	<p>F</p>  <p>9</p>	<p>G</p>  <p>11</p>
<p>H</p>  <p>15</p>	<p>I</p>  <p>16</p>	<p>J</p>  <p>17</p>	<p>K</p>  <p>18</p>
<p>L</p>  <p>19</p>	<p>M</p>  <p>19</p>	<p>N</p>  <p>19</p>	<p>O</p>  <p>20</p>
<p>P</p>  <p>20</p>	<p>Q</p>  <p>t=38 mm</p> <p>20</p>	<p>R</p>  <p>t=38 mm</p> <p>21</p>	<p>S</p>  <p>t=28 mm</p> <p>21</p>
<p>T</p>  <p>21</p>	<p>U</p>  <p>22</p>	<p>V</p>  <p>23</p>	<p>W</p>  <p>24</p>

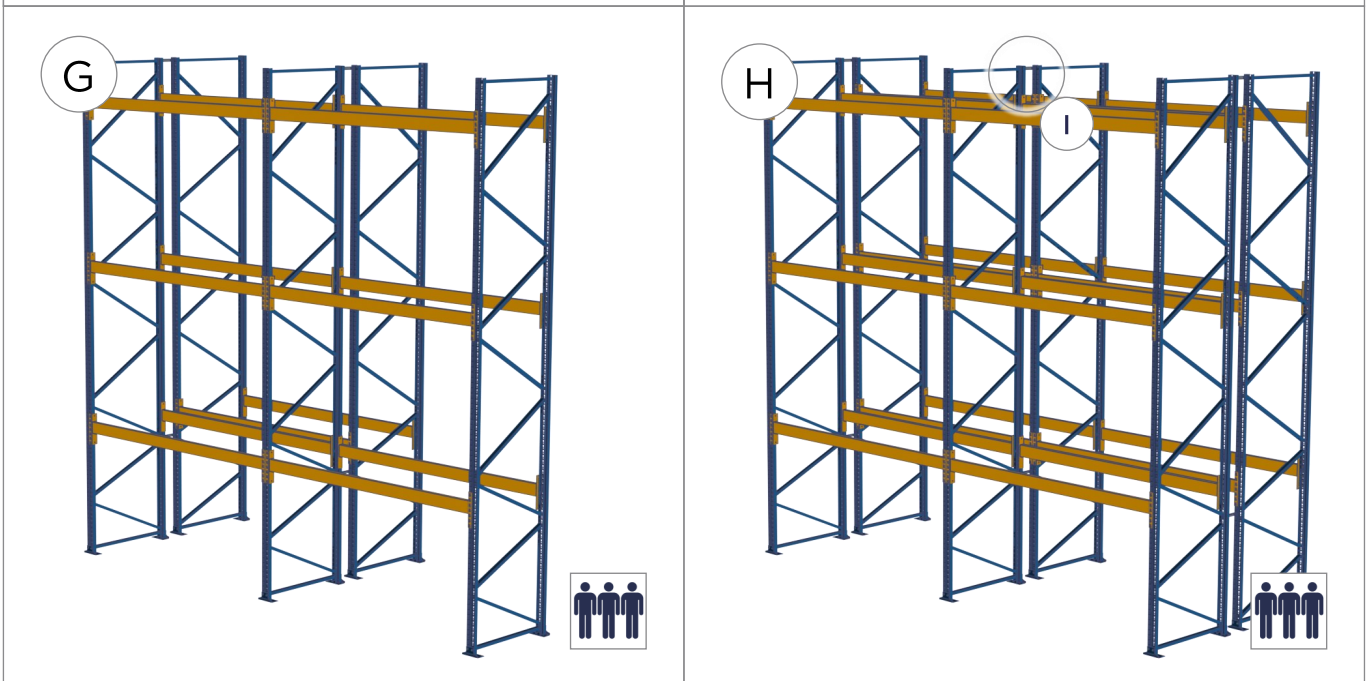
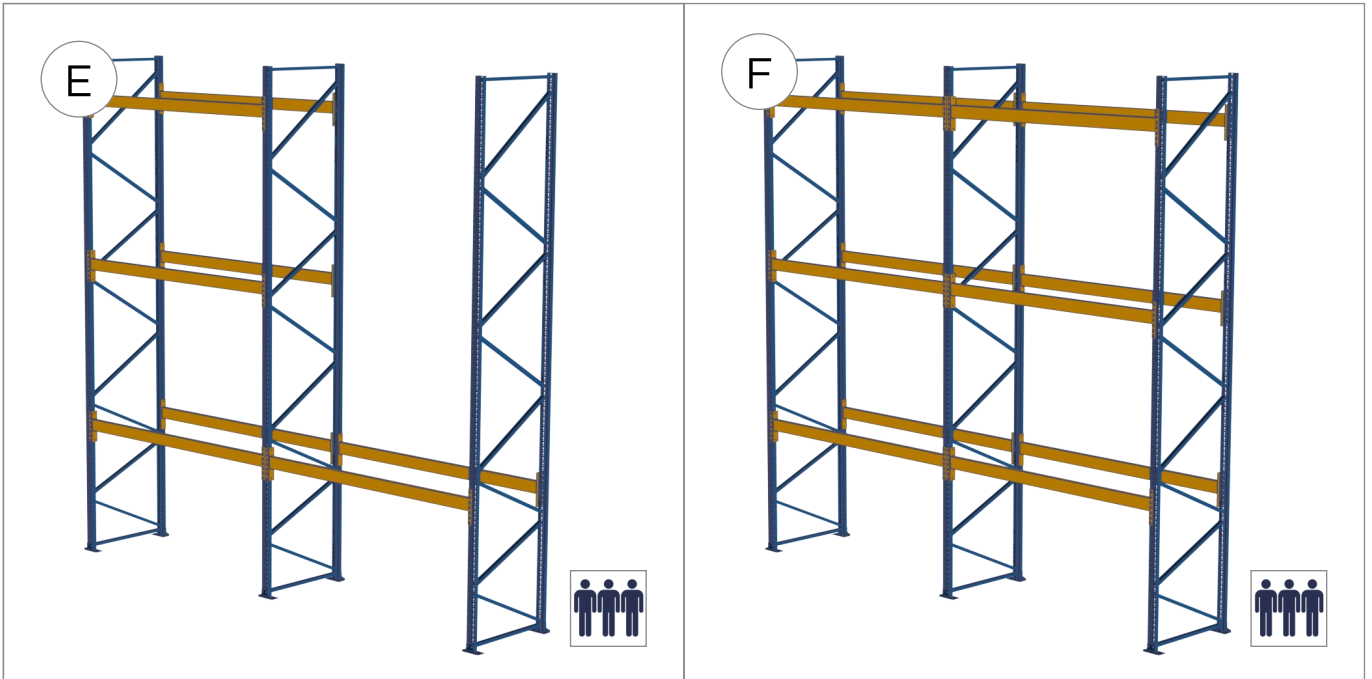


1	Upright
2	Diagonal
3	Bolt hexhd flange M6x65/70 zinc 8.8 SAP ID: 27793 / 27815
4	Nut hex flange selflocking M6 zinc 8.8 SAP ID: 27820
5	Bolt tapping hexhd M10x25 zinc 8.8 SAP ID: 1628
6	Washer nonchamfer M10 zinc SAP ID: 2536
7	Nut hex toothed flange M10 zinc 8.8 SAP ID: 1743









**I**

1: Spacer Frame NR L = 200 mm, sendz  
SAP ID: 41962

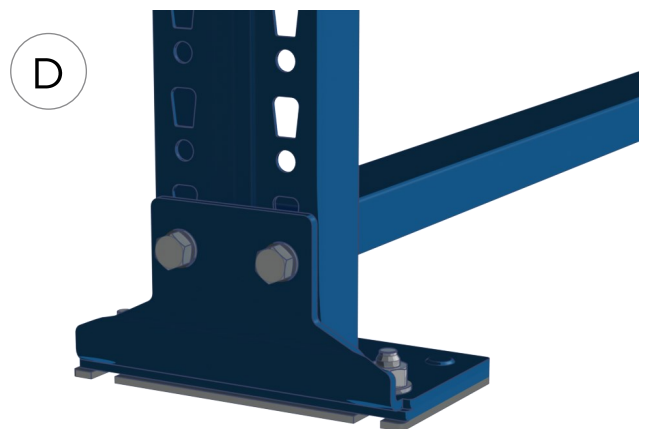
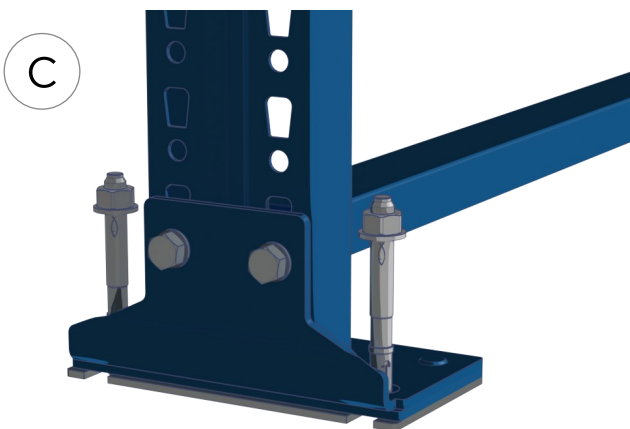
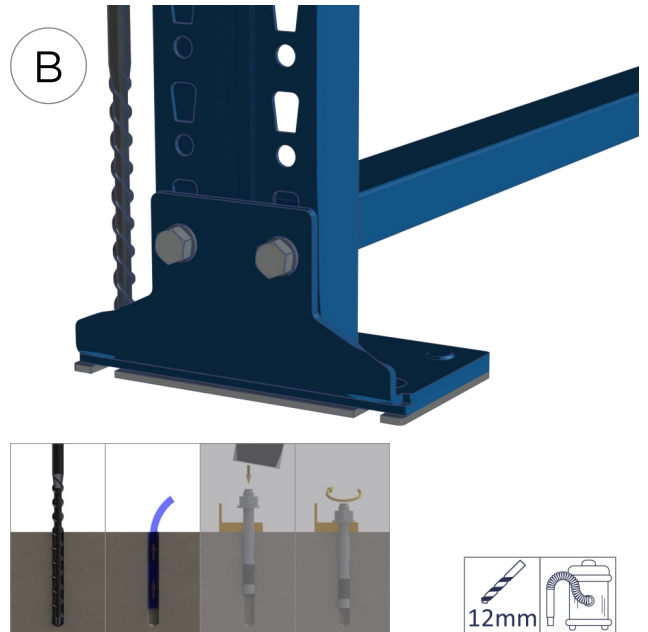
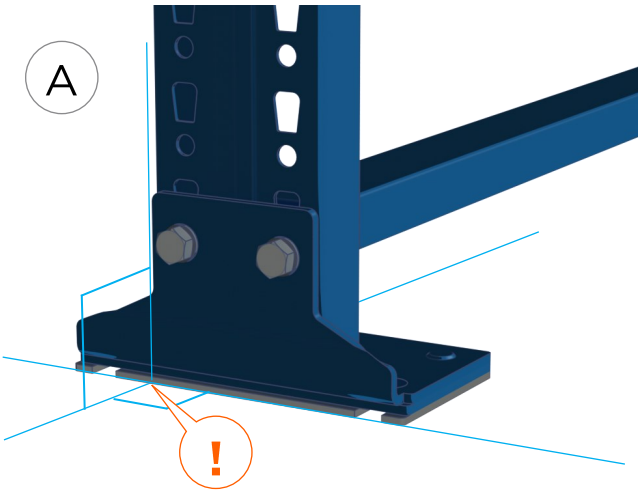
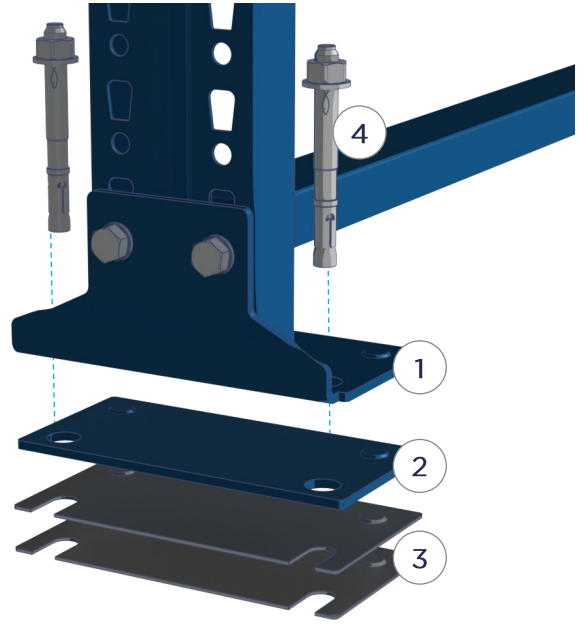
2: Bolt tapping hexhd M10x25 znc 8.8  
SAP ID: 1628

3: Washer nonchamfer M10 znc  
SAP ID: 2536

4: Nut hex toothed flange M10 znc 8.8  
SAP ID: 1743

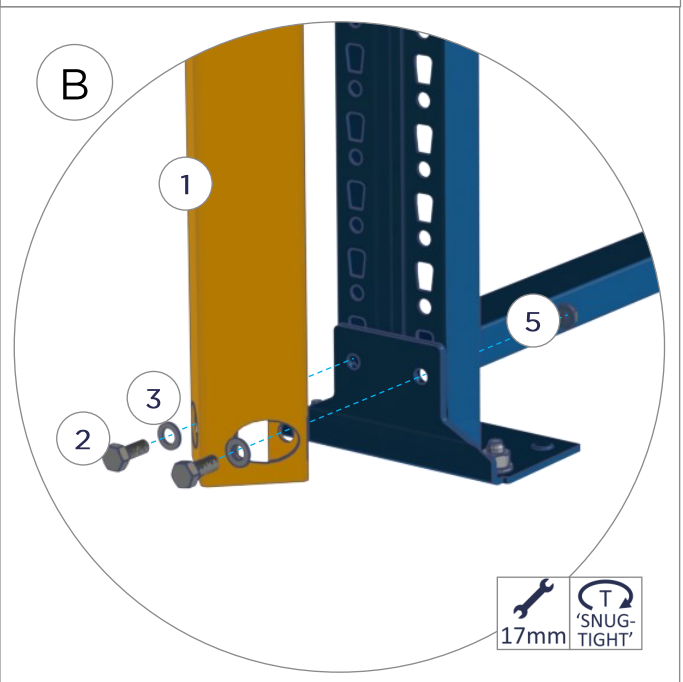
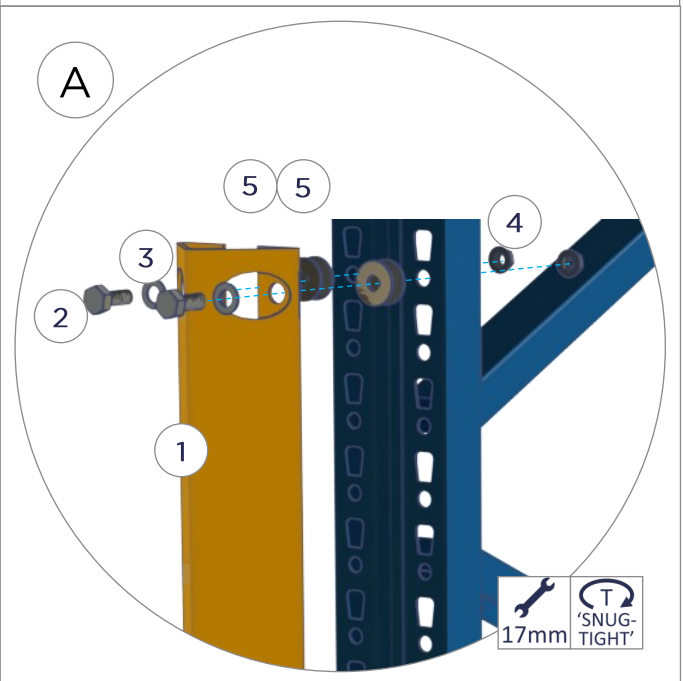
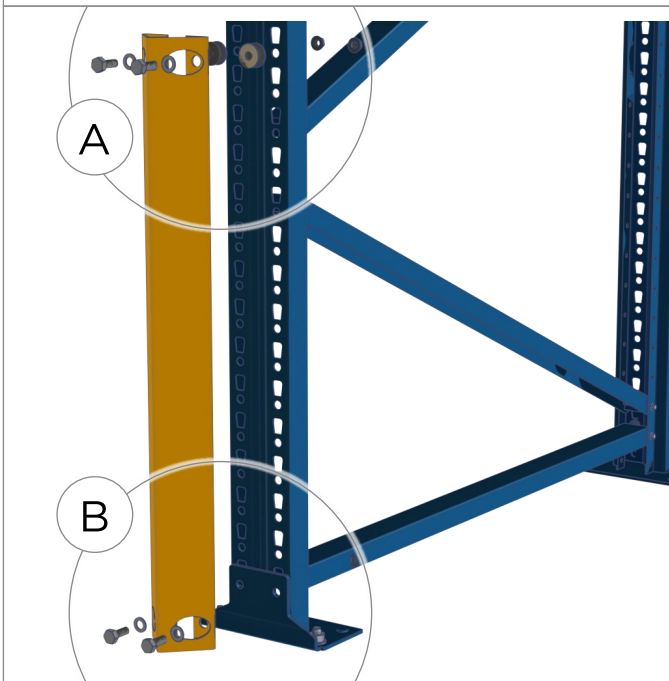
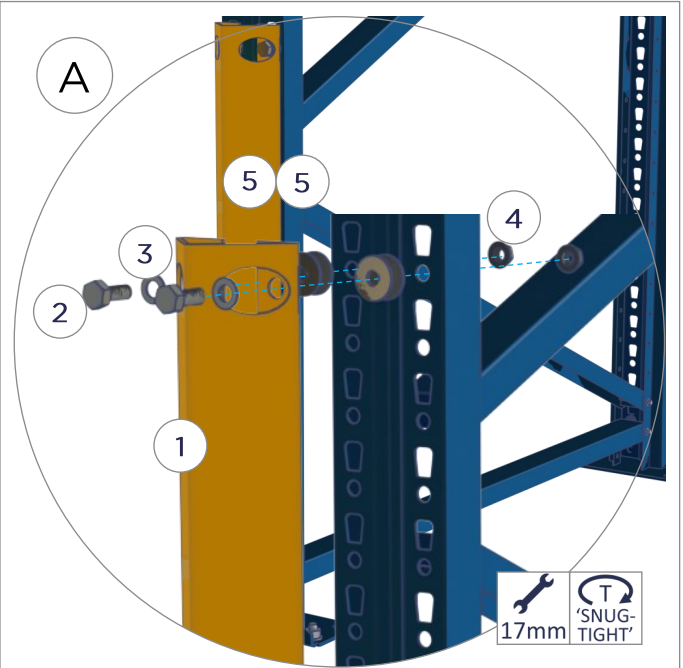


1	Baseplate MAN 5.0 080/100 SAP ID: 53535/53536
2	Pressure Plate for baseplate MAN 100 SAP ID: 53488
3	Shim for baseplate MAN 080/100 SAP ID: 53510/53521 / 53511/53522
4	Anchor rod Fischer FAZ II M12/ 10 mech SAP ID: 51402





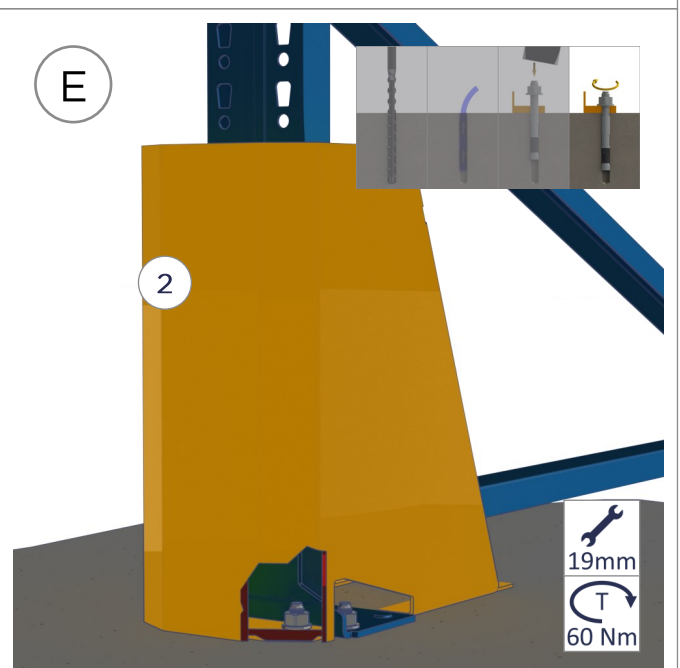
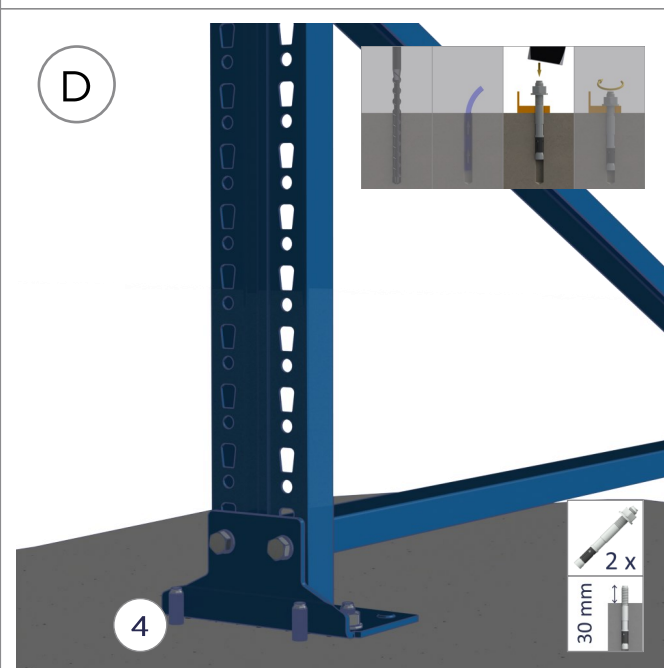
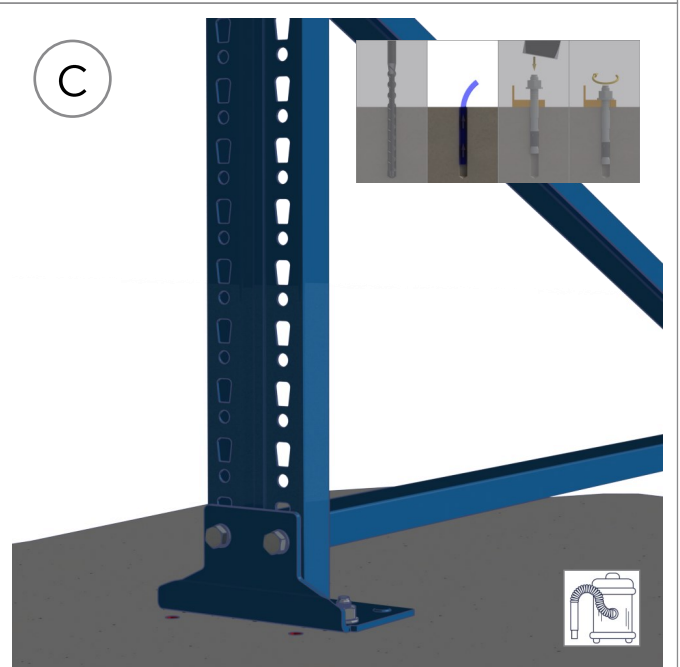
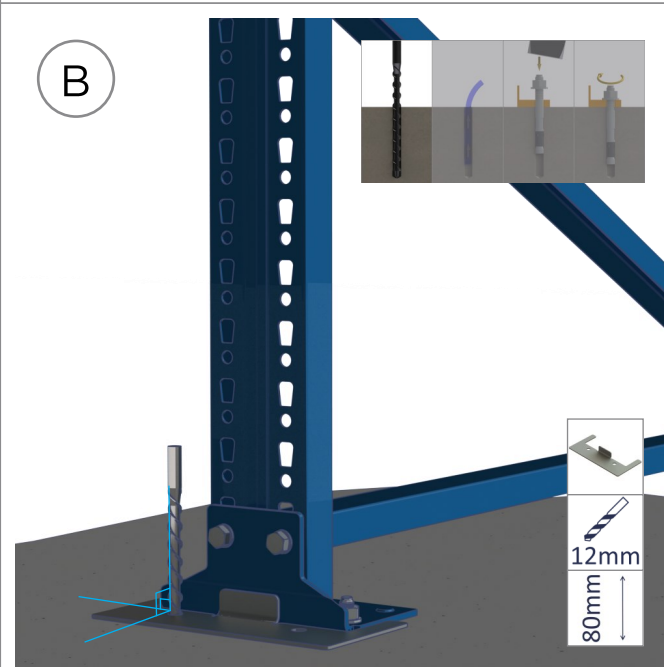
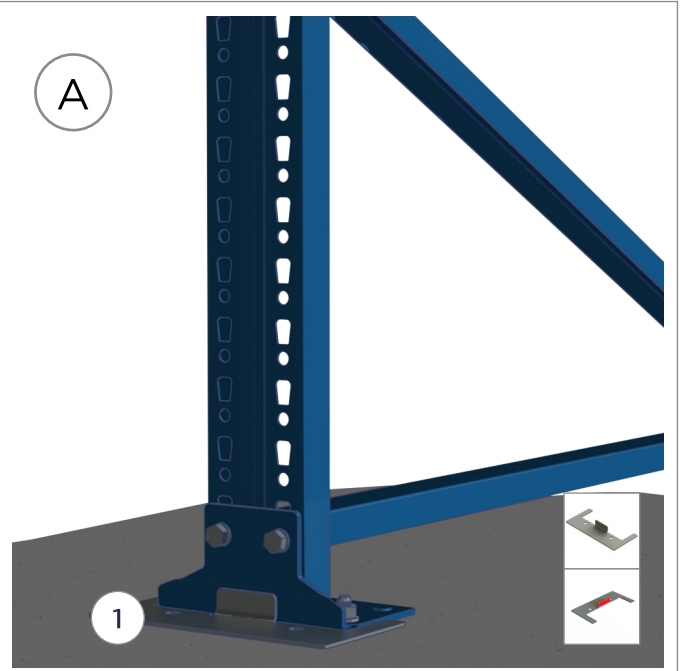
1	Stiffener for Upright MAN 080/100 SAP ID: 53505/53506
2	Bolt tapping hexhd M10x25 znc 8.8 SAP ID: 1628
3	Washer nonchamfer M10 znc SAP ID: 2536
4	Nut hex toothed flange M10 znc 8.8 SAP ID: 1743
5	Washer mudwing M10 znc SAP ID: 1771

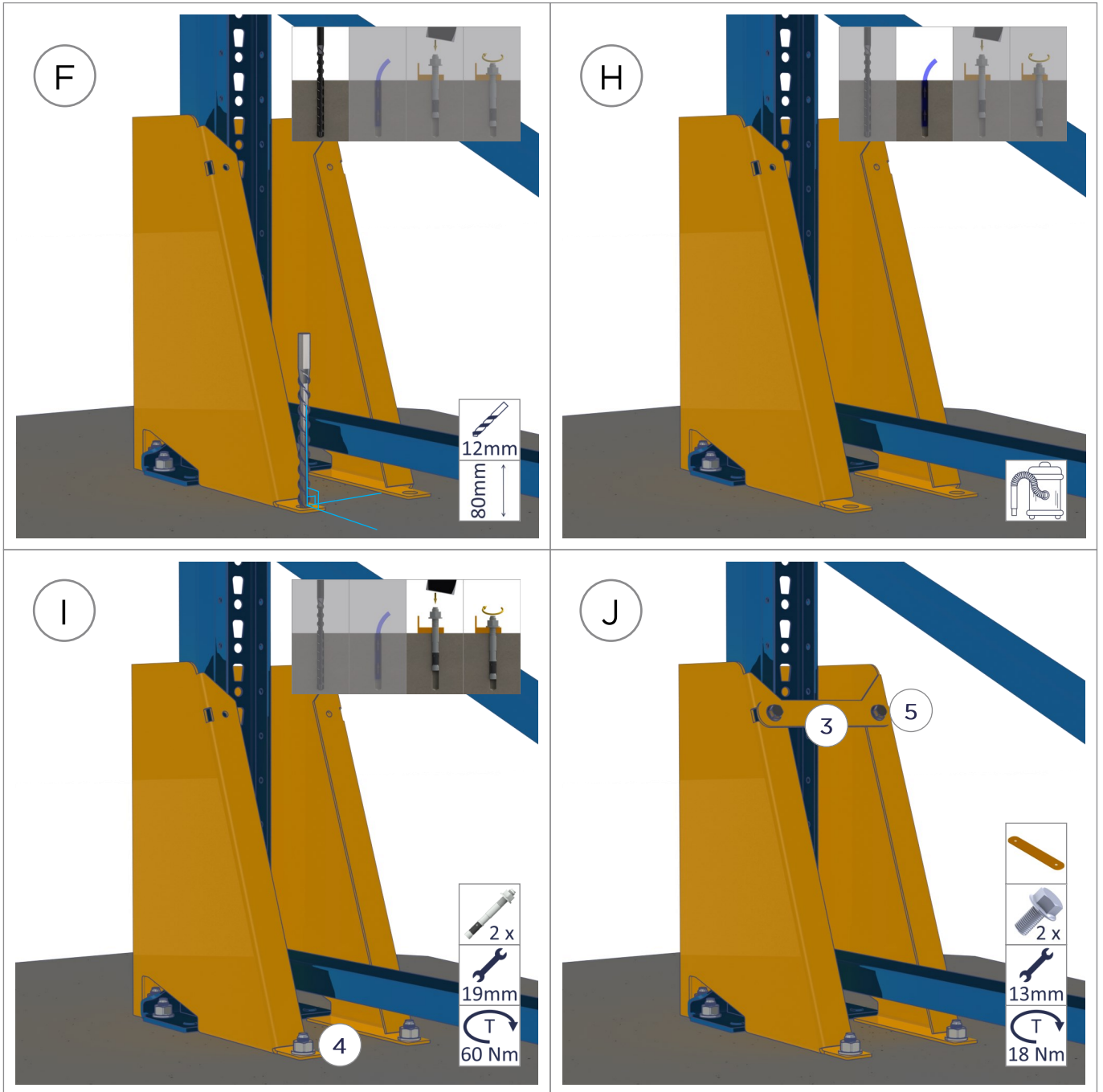






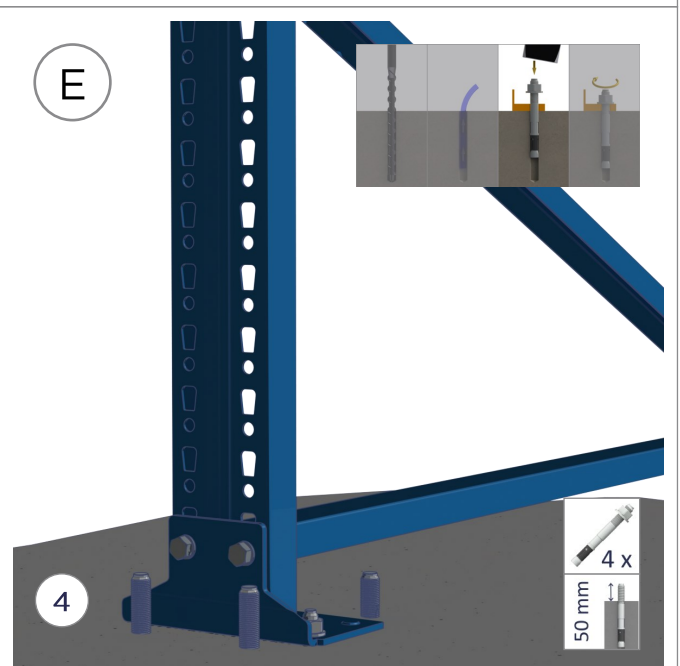
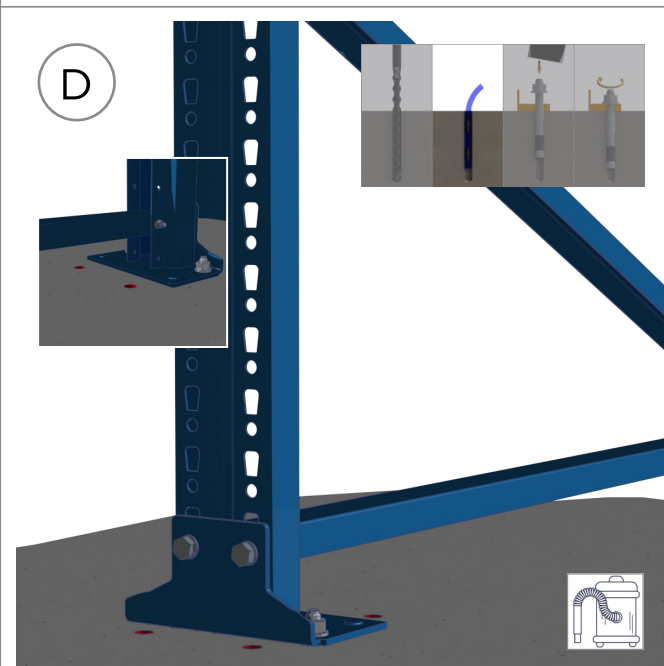
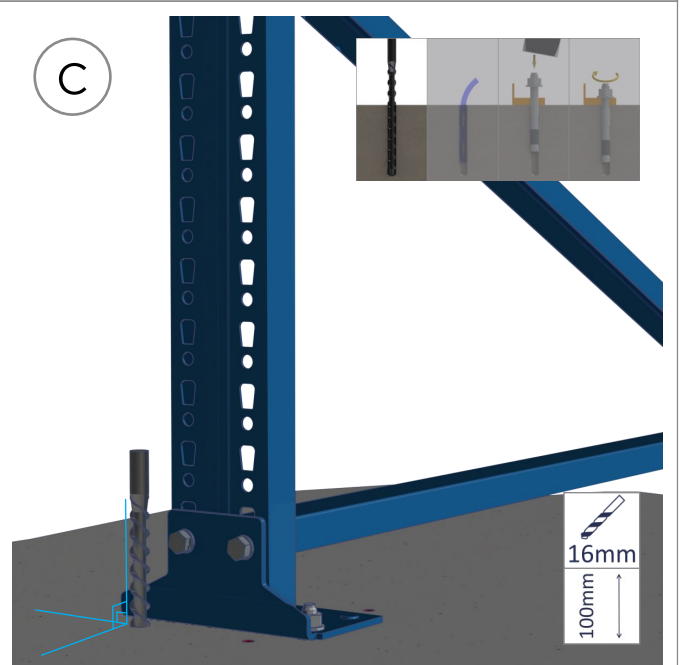
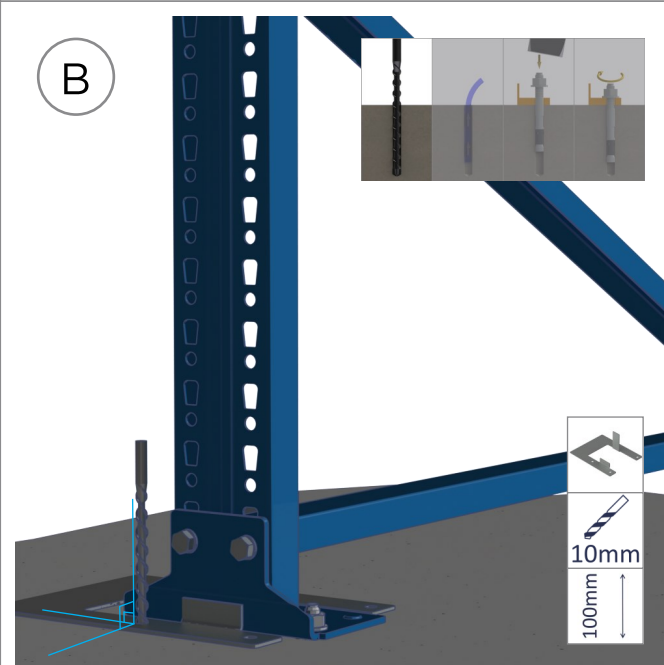
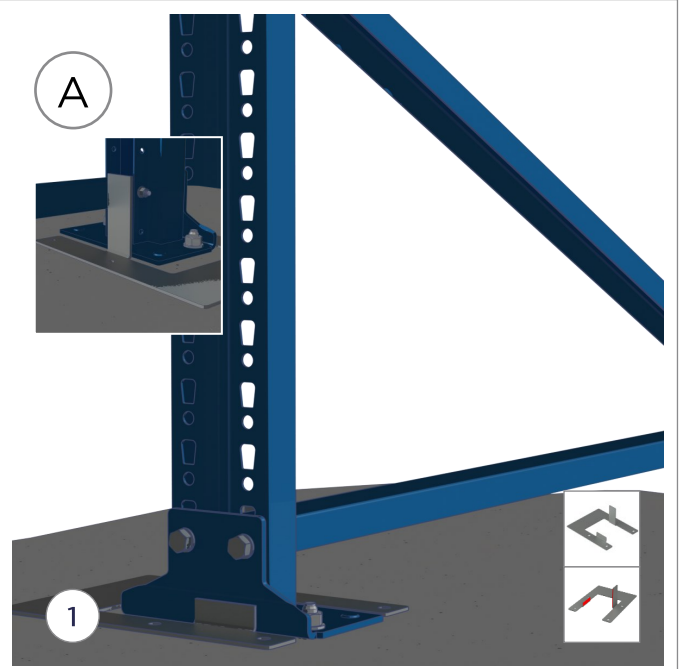
1	Anchoring Template Defender U... 800, se SAP ID: 55393(080) / 55394(100) / 55395(120)
2	Defender 800 upr ... , R2008 SAP ID: 54053(080) / 54054(100) / 54055(120)
3	Coupling Defender 800 upr ..., R2008 SAP ID: 54078(080) / 54079(100) / 54080(120)
4	Anchor rod Fischer FAZ II M12/ 10 mech SAP ID: 51402
5	Taptite hexhd flange M8x 16 znc SAP ID: 1681

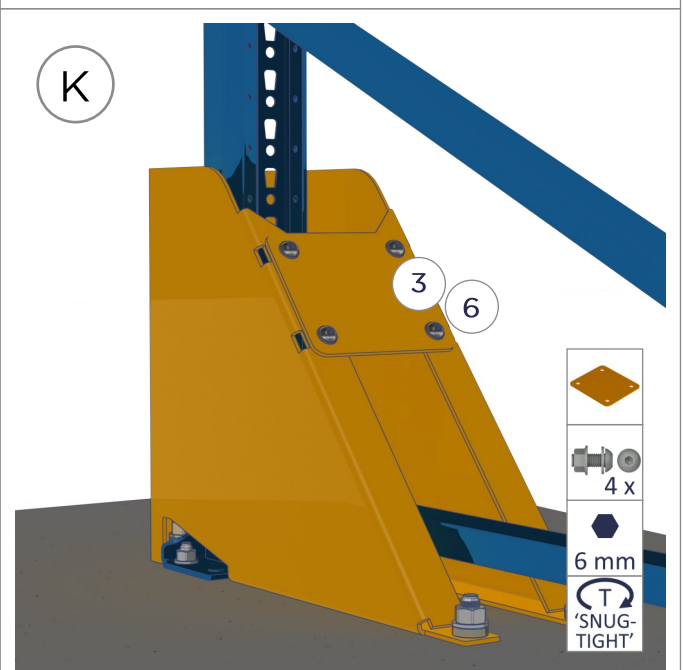
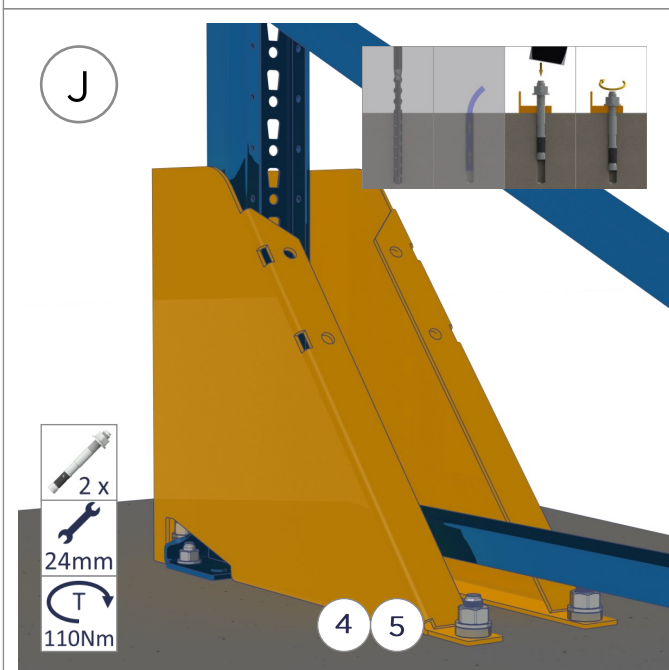
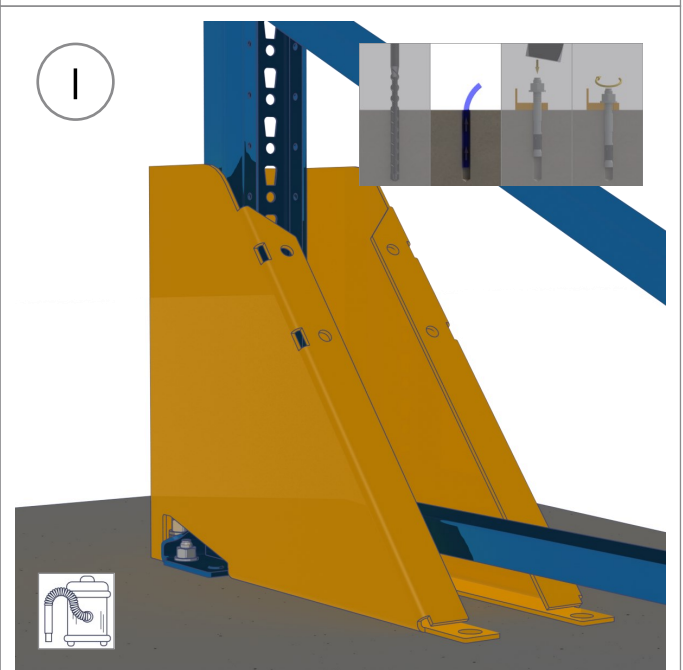
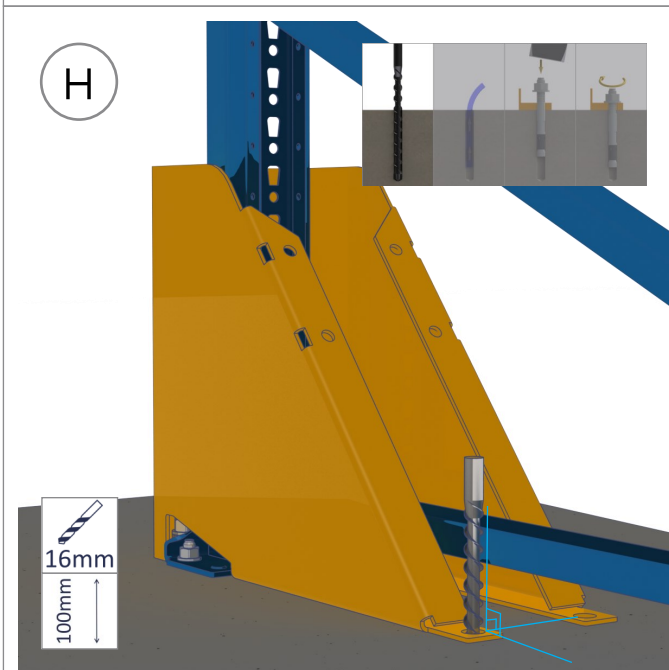
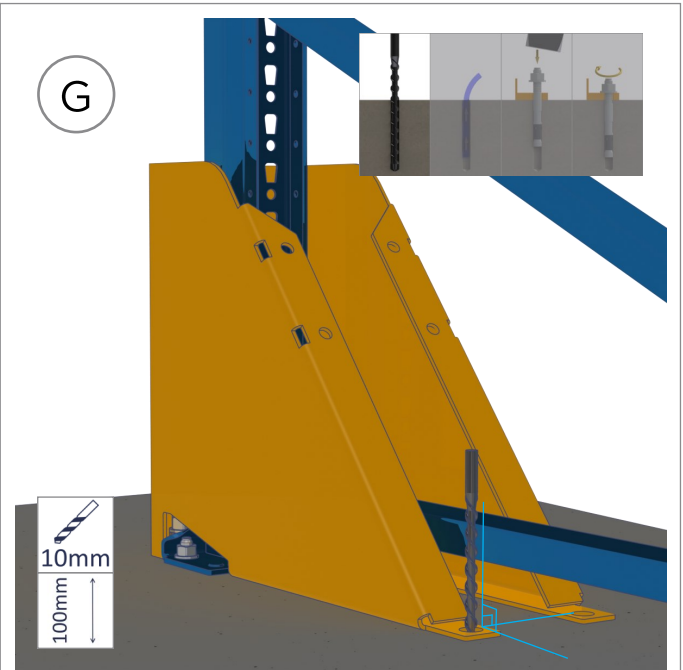
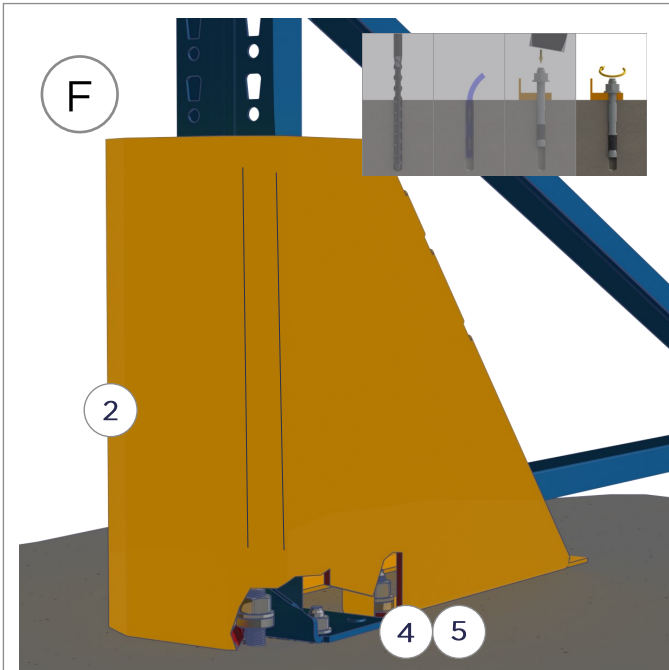






1	Anchor template Defender 1500/3000 U... SAP ID: 54129(080) / 54130(100) / 54151(120)
2	Defender 1500 upr ..., R2008 SAP ID: 54056(080) / 54057(100) / 54058(120)
3	Coupl. Defender 1500_3000 upr ..., R2008 SAP ID: 54078(080) / 54079(100) / 54080(120)
4	Anchor rod Fischer FAZ II M16/ 25 mech SAP ID: 51406
5	Washer steel struct. M16x30x8.0 THZ ISO SAP ID: 54121
6	Set fixation M10x 25 hexsock mushrhd SAP ID: 11391

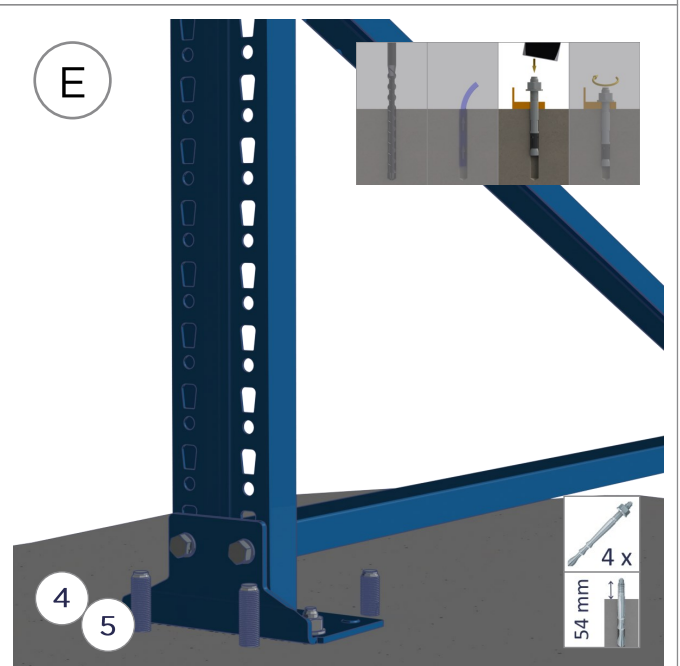
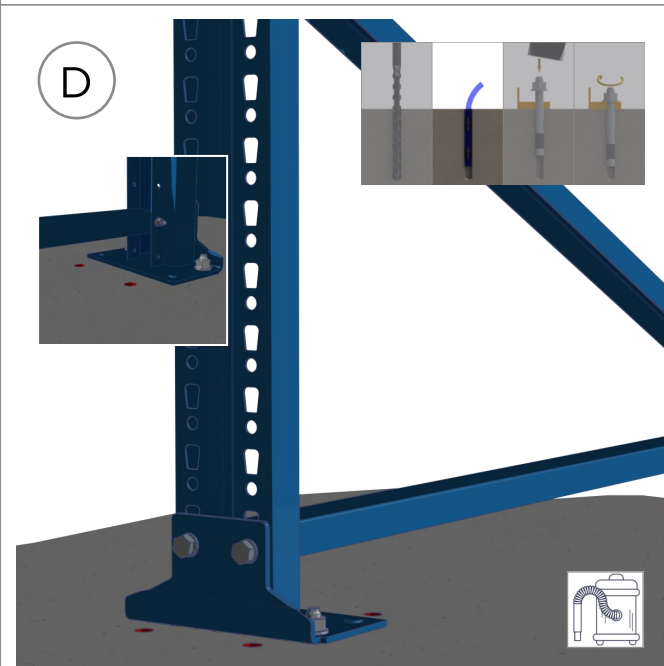
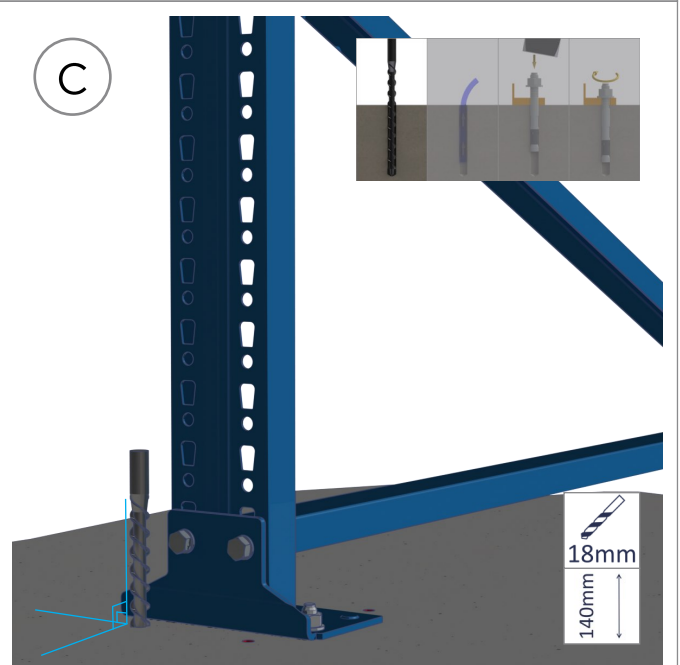
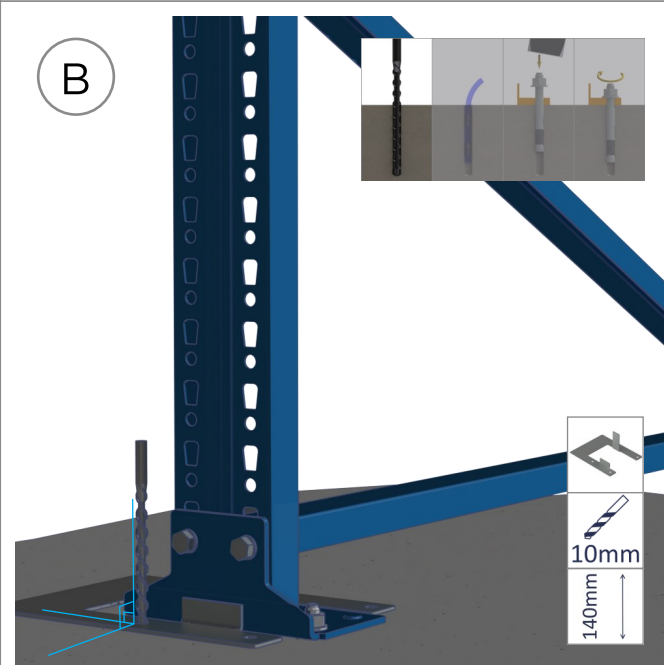
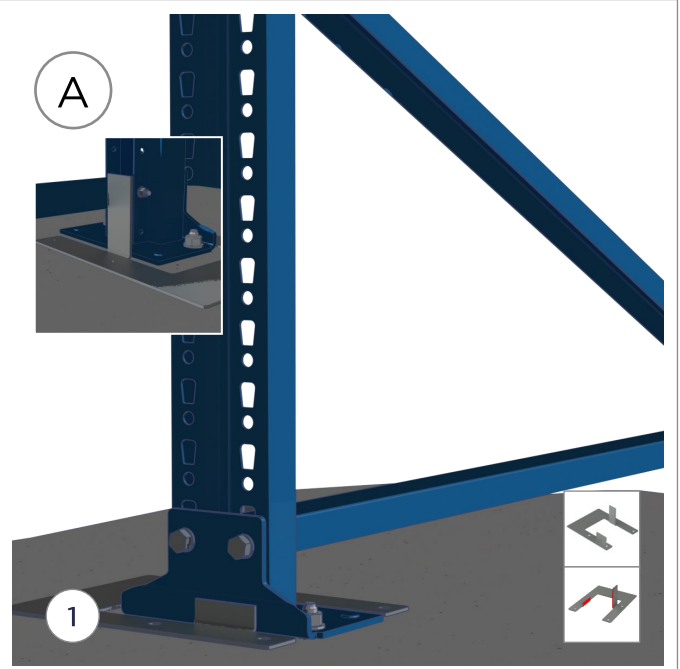


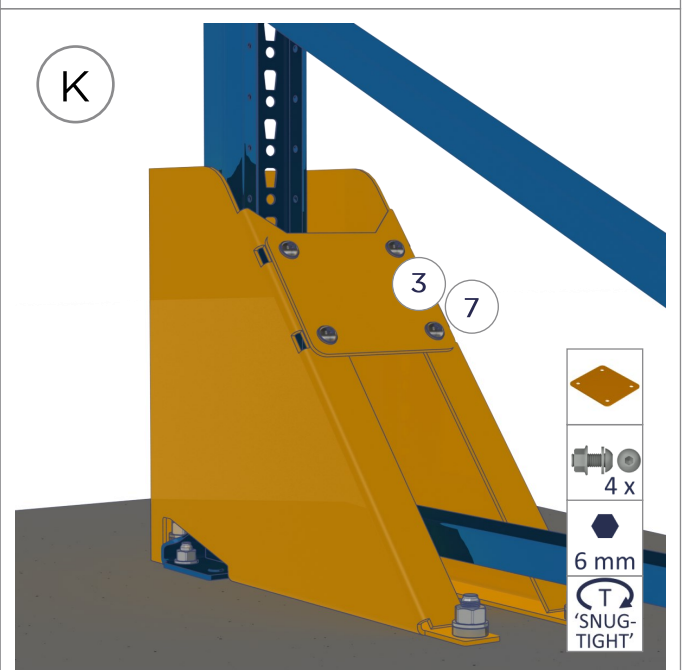
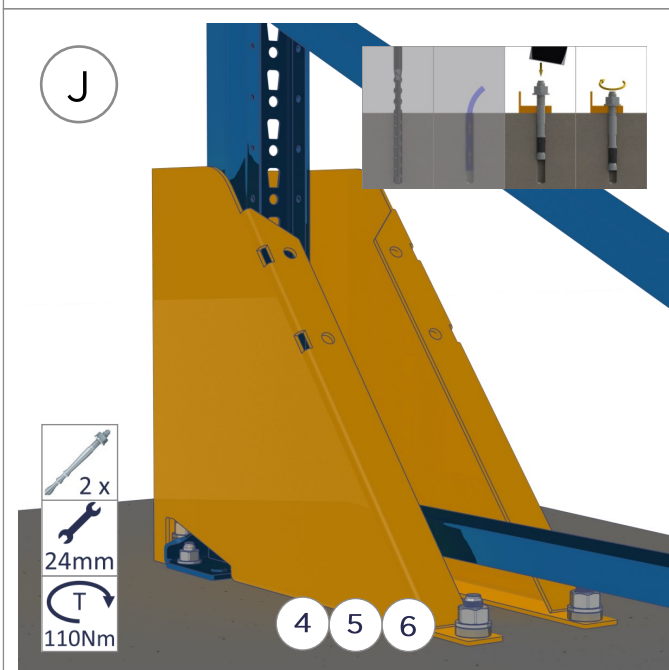
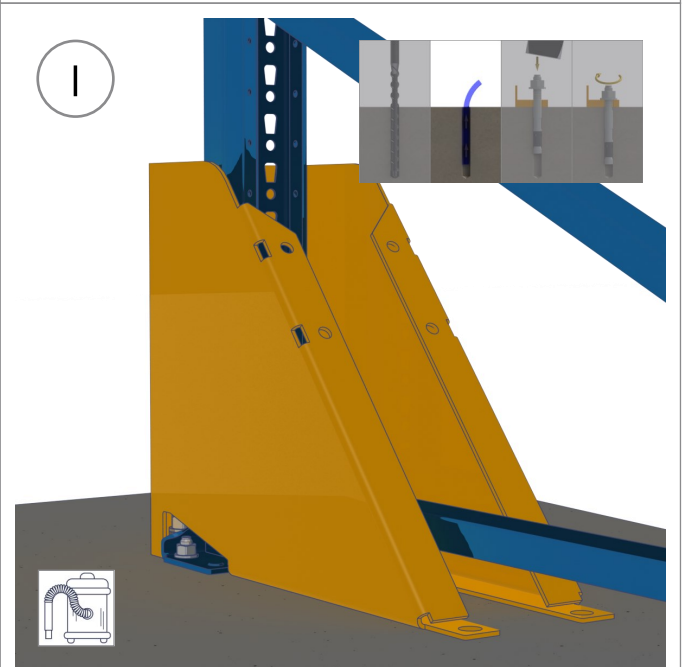
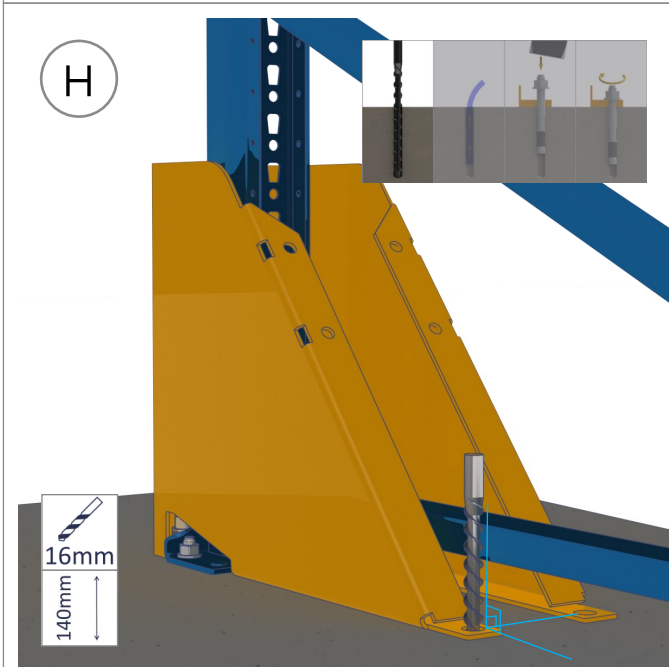
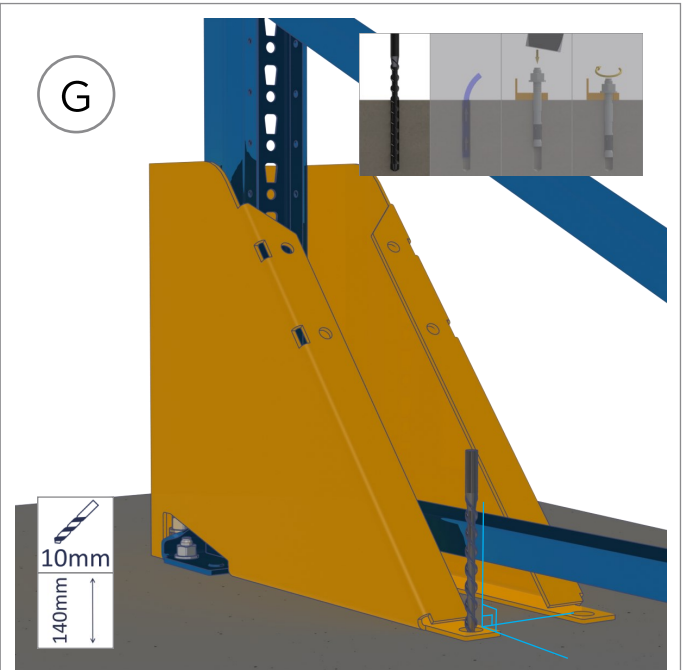
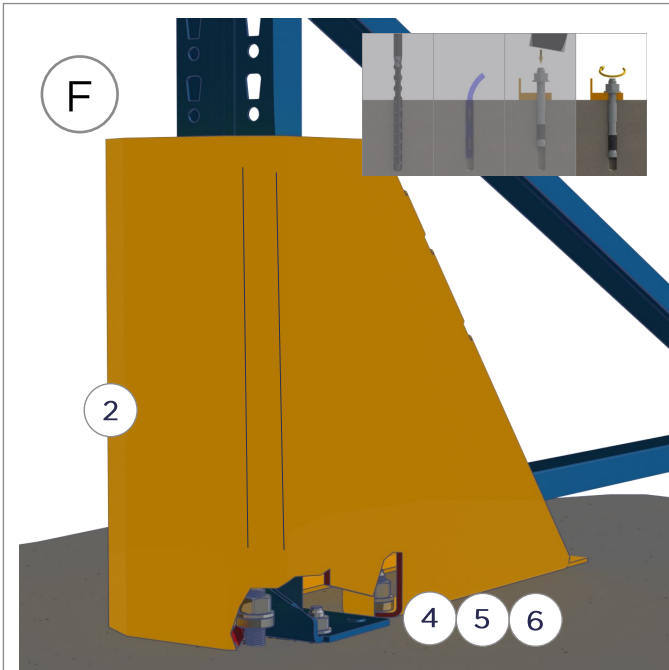






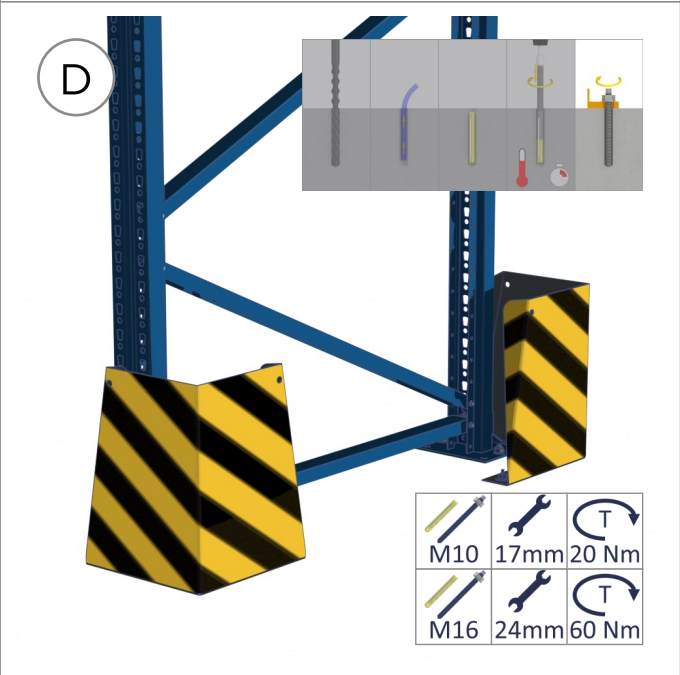
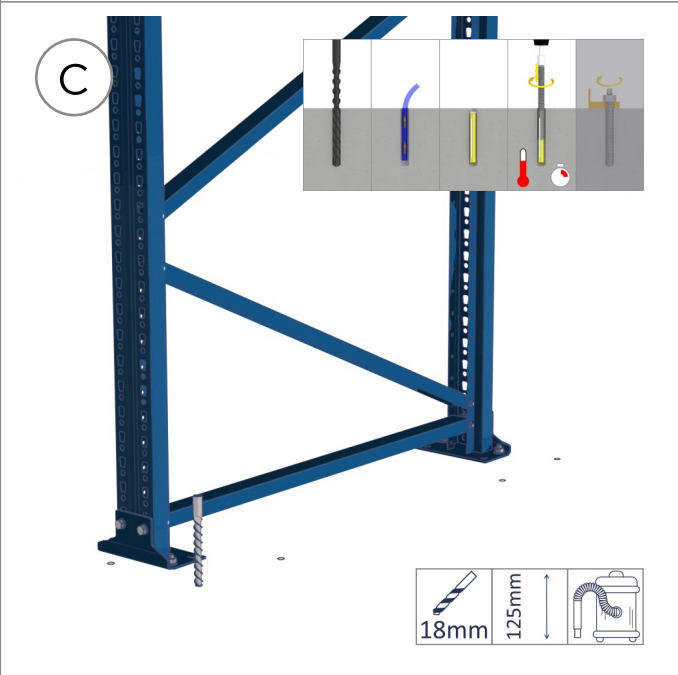
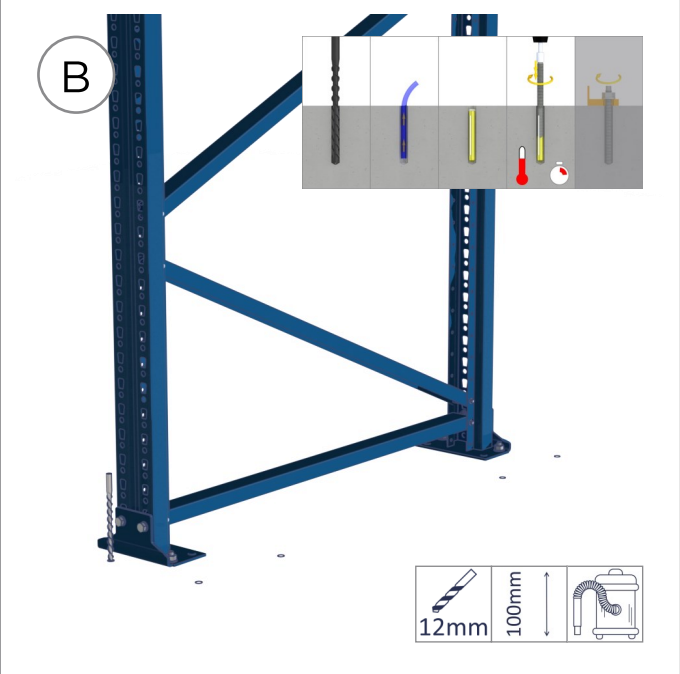
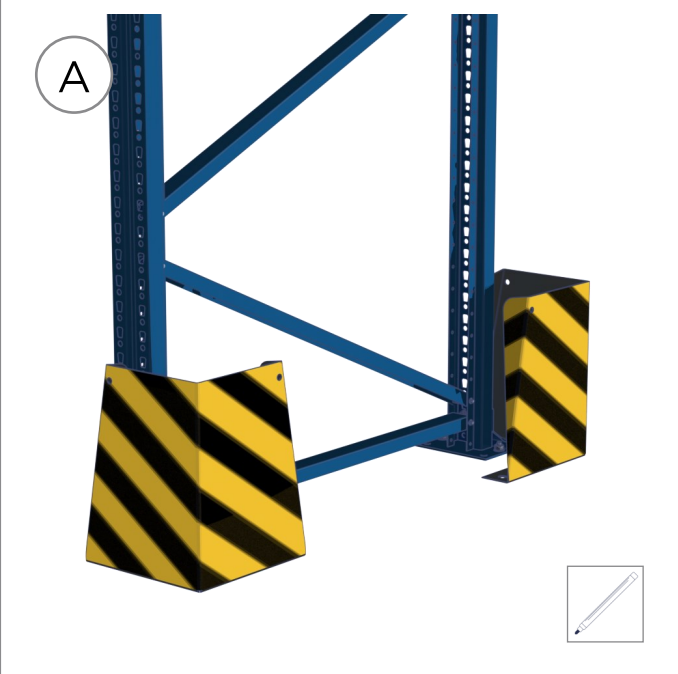
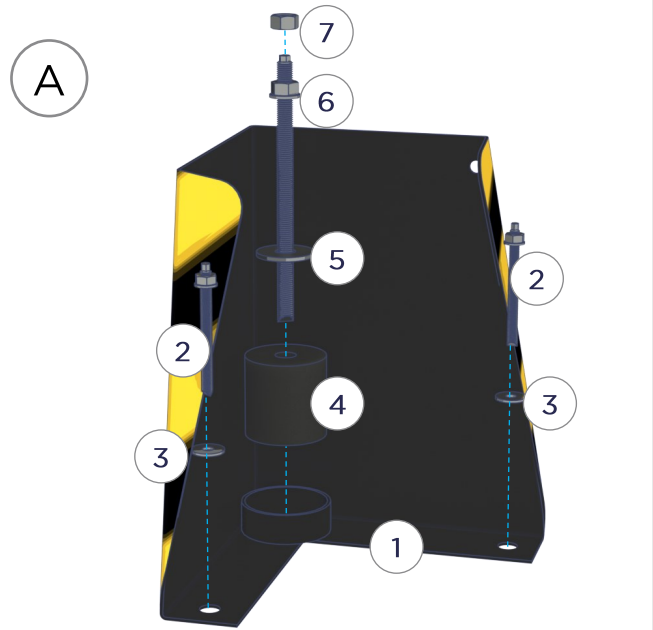
1	Anchor template Defender 1500/3000 U... SAP ID: 54129(080) / 54130(100) / 54151(120)
2	Defender 3000 upr ..., R2008 SAP ID: 54059(080)/ 54060(100) / 54061(120)
3	Coupl. Defender 1500_3000 upr ..., R2008 SAP ID: 54078(080) /54079(100) /54080(120)
4	Anchor rod Fischer FHB II-AL M16x125/ 30 SAP ID: 54123
5	Anchor chem cap Fischer FHB-II PF 16x125 SAP ID: 54124
6	Washer steel struct. M16x30x8.0 THZ ISO SAP ID: 54121
7	Set fixation M10x 25 hexsock mushrhd SAP ID: 11391







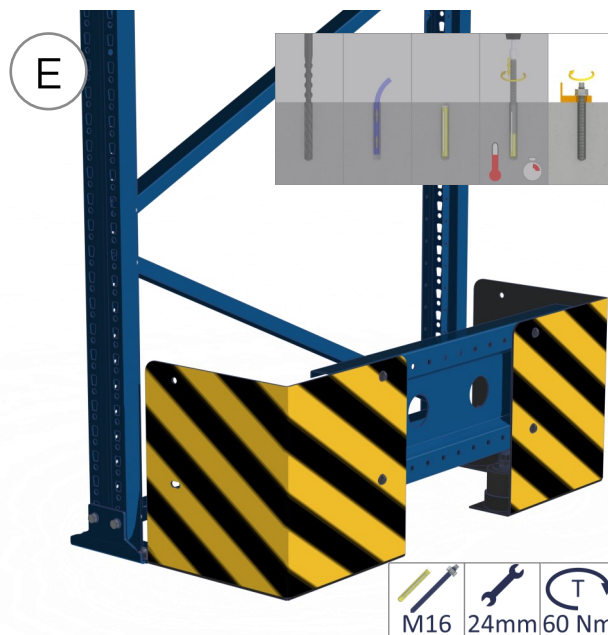
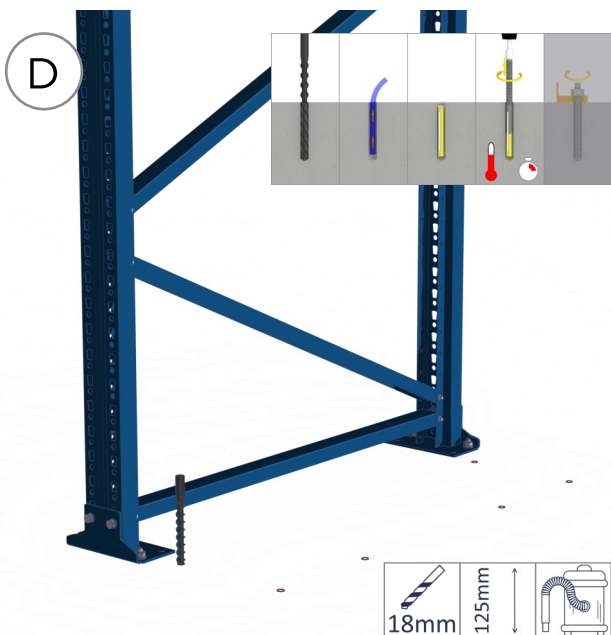
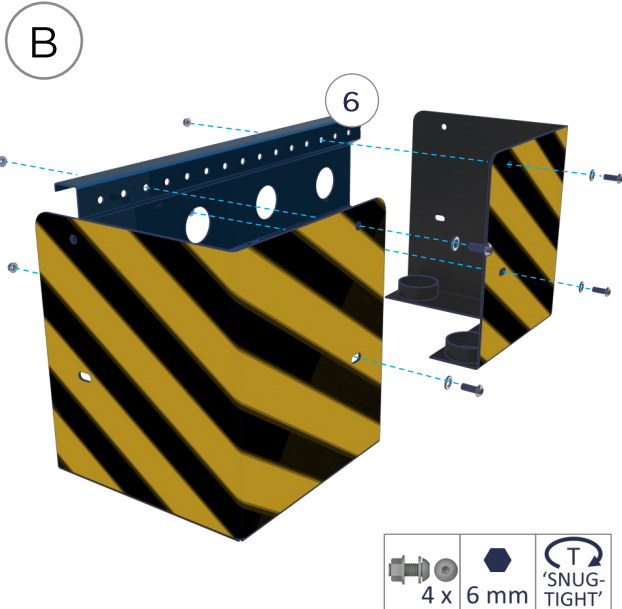
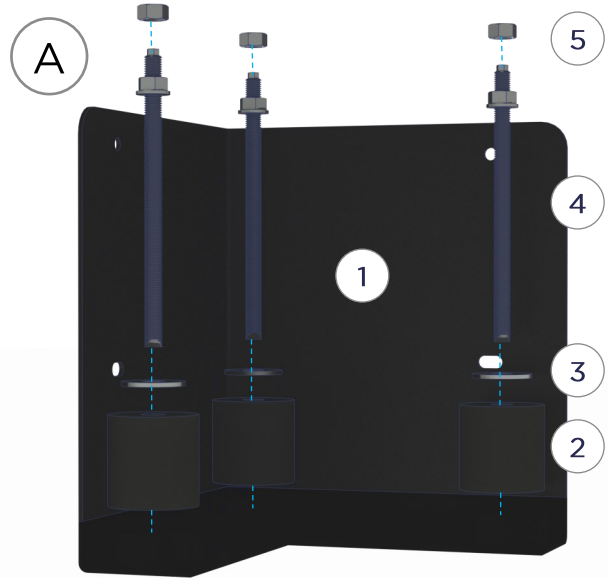
1	Collision angle 303040/1, coated SAP ID: 2441
2	Anchor Rod M10x110 + Chem. Cap. SAP ID: 53277 + 53274
3	Washer Mudwing M10x30x2.5 znc SAP ID: 1771
4	Rubber buffer 80x80x21 black SAP ID: 3086
5	Washer Mudwing M18x46x4 znc SAP ID: 41107
6	Anchor Rod M16x250 + Chem. Cap. SAP ID: 53280 + 53276
7	Nut hex M16 znc 8.8 SAP ID: 1739







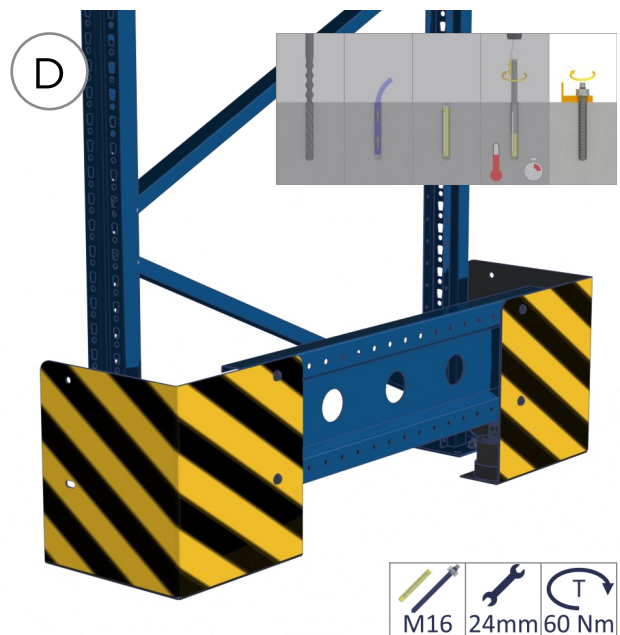
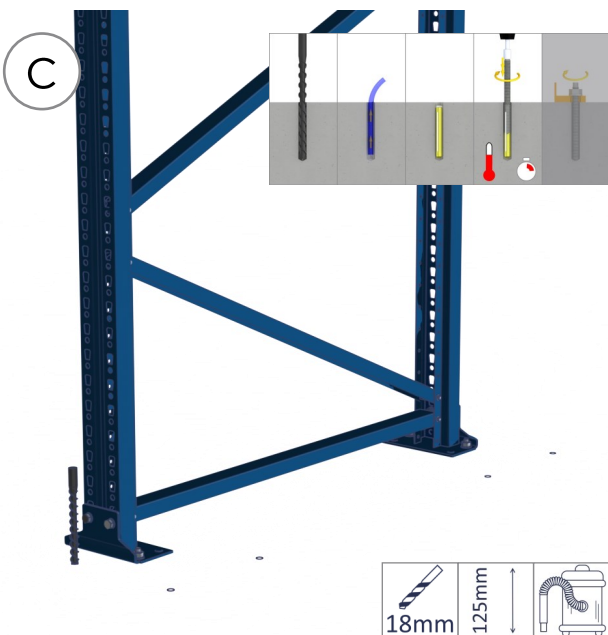
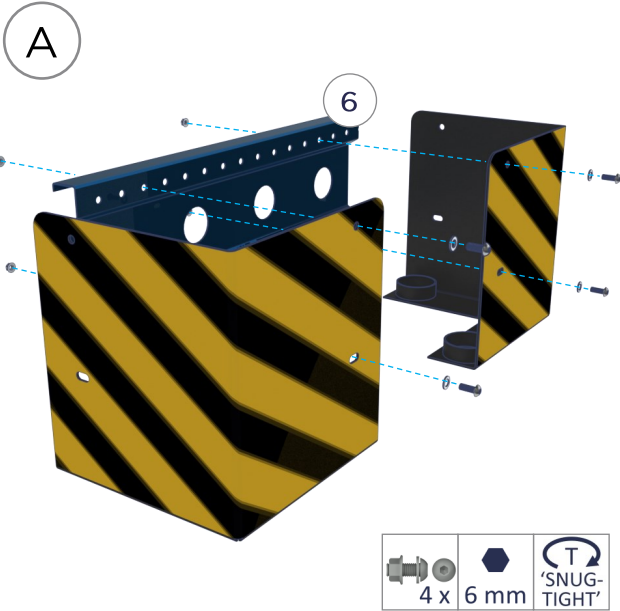
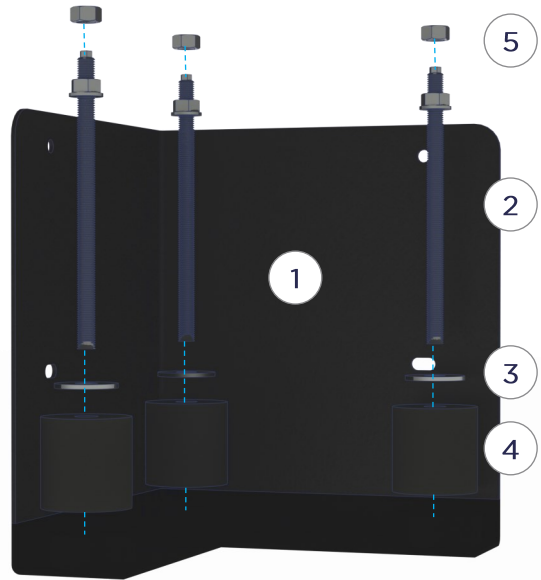
1	Collision angle 353540/3, coated SAP ID: 2440
2	Rubber buffer 80x80x21 black SAP ID: 3086
3	Washer Mudwing M18x46x4 zinc SAP ID: 41107
4	Anchor Rod M16x250 + Chem. Cap. SAP ID: 53280 + 53276
5	Nut hex M16 8.8 SAP ID: 1739
6	Beam Sigma S2605025 SAP ID: ..





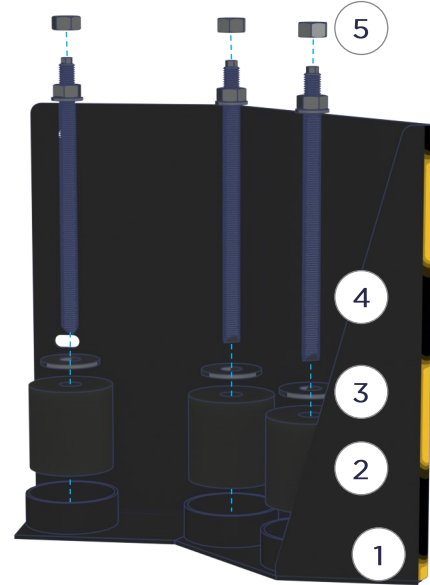


1	Collision angle 353540/3, coated SAP ID: 2440
2	Rubber buffer 80x80x21 black SAP ID: 3086
3	Washer Mudwing M18x46x4 zinc SAP ID: 41107
4	Anchor Rod M16x250 + Chem. Cap. SAP ID: 53280 + 53276
5	Nut hex M16 8.8 SAP ID: 1739
6	Beam Sigma S2605025 SAP ID: ..

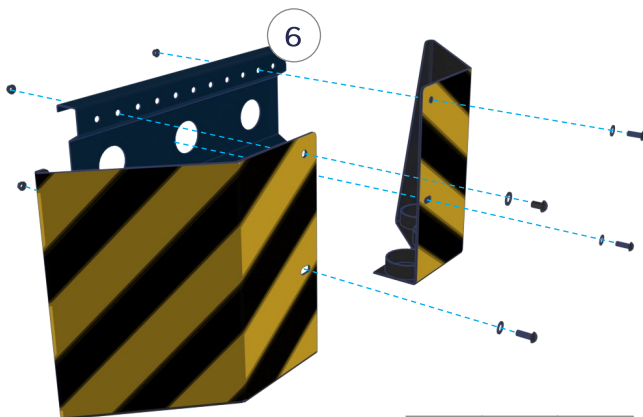




1	Collision angle 135deg ... , coated SAP ID: 2444(Left) / 2443(Right)
2	Rubber buffer 80x80x21 black SAP ID: 3086
3	Washer Mudwing M18x46x4 znc SAP ID: 41107
4	Anchor Rod M16x250 + Chem. Cap. SAP ID: 53280 + 53276
5	Nut hex M16 8.8 SAP ID: 1739
6	Beam Sigma S2605025 SAP ID: ..



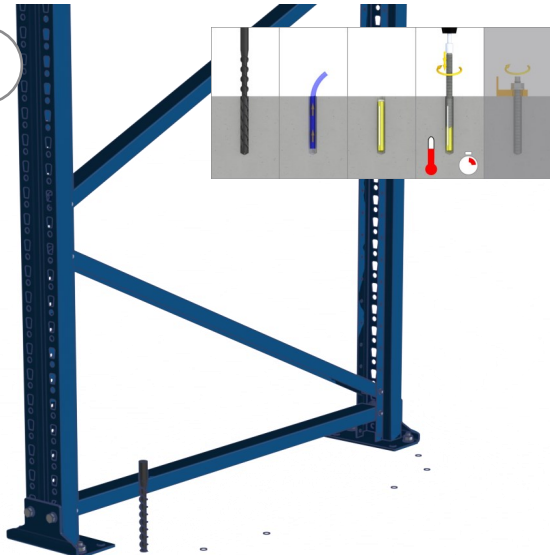
A



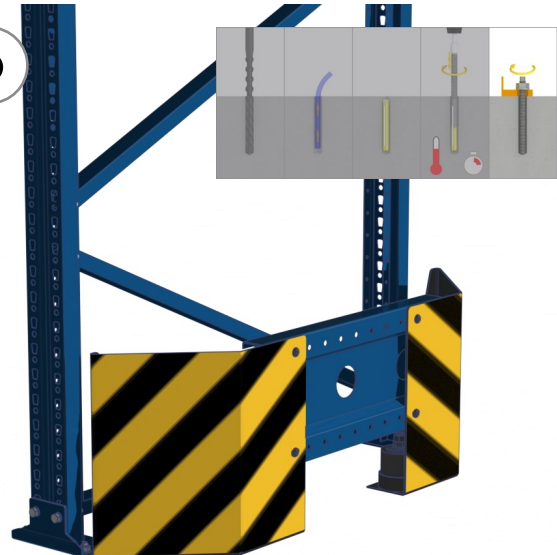
B



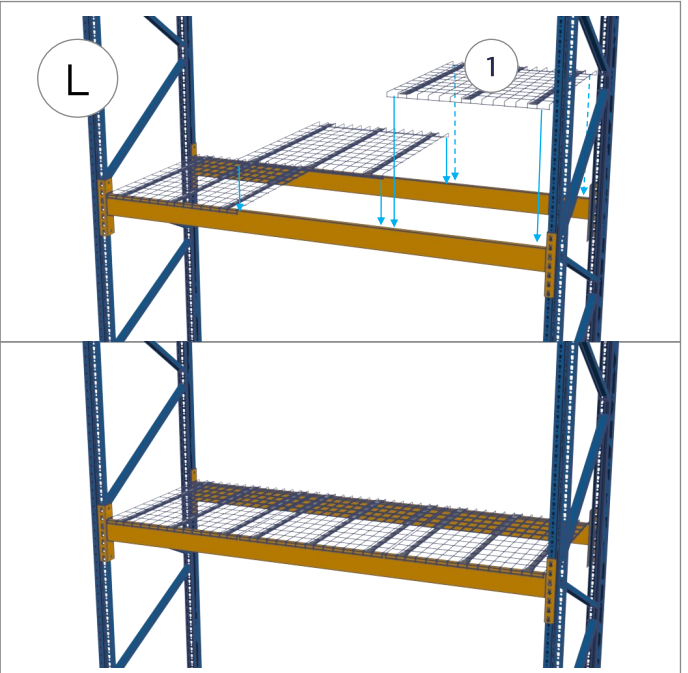
C



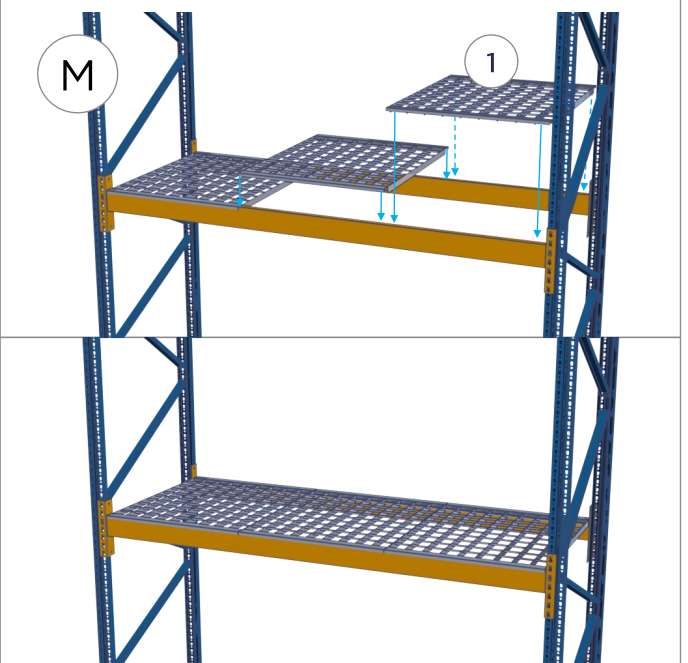
D



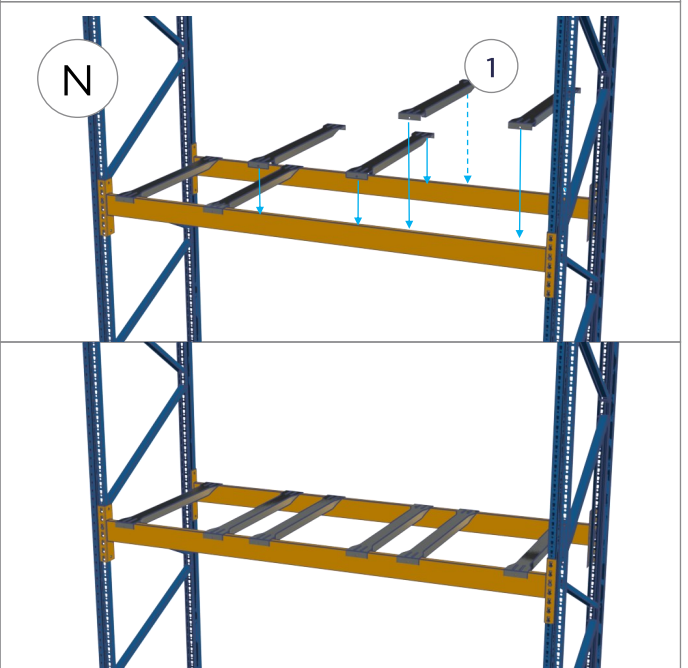
BEAMWIDTH 40 mm	
1	Mesh panel 880x1100 BW40 MantaMESH, glv SAP ID: 54866
BEAMWIDTH 50 mm	
1	Mesh panel 880x1100 BW50 MantaMESH, glv SAP ID: 54867



1	Grid panel 890x1100 40/2 BW40/50, glv SAP ID: 51797

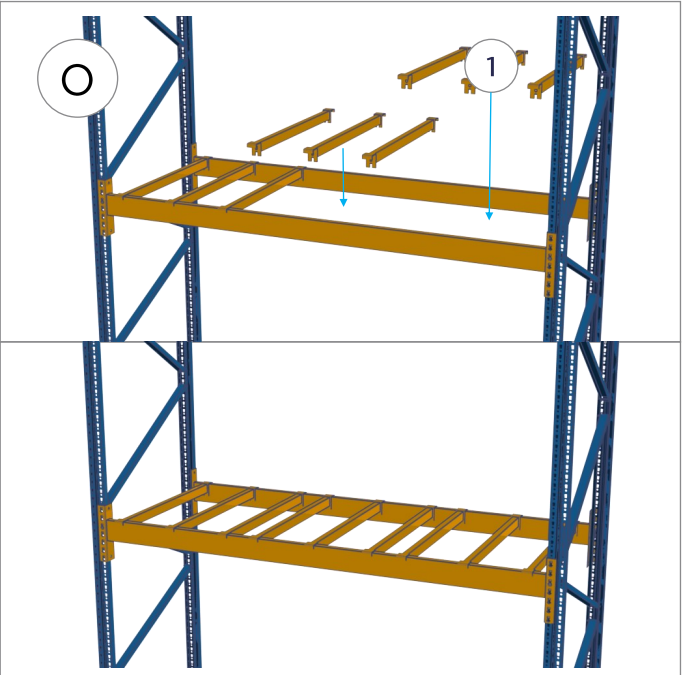


1	Depthbeam Light OB BW40/50 FD0800, sendz SAP ID: 55934
	Depthbeam Light OB BW40/50 FD1100, sendz SAP ID: 55935

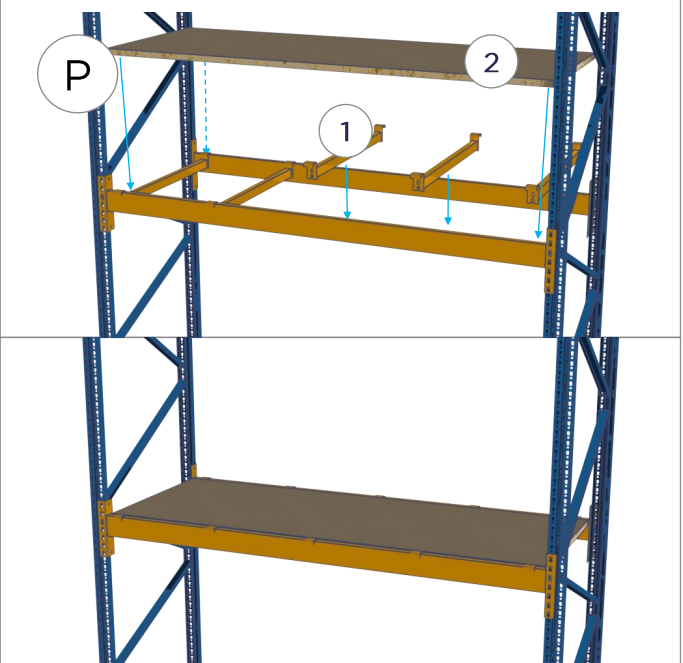




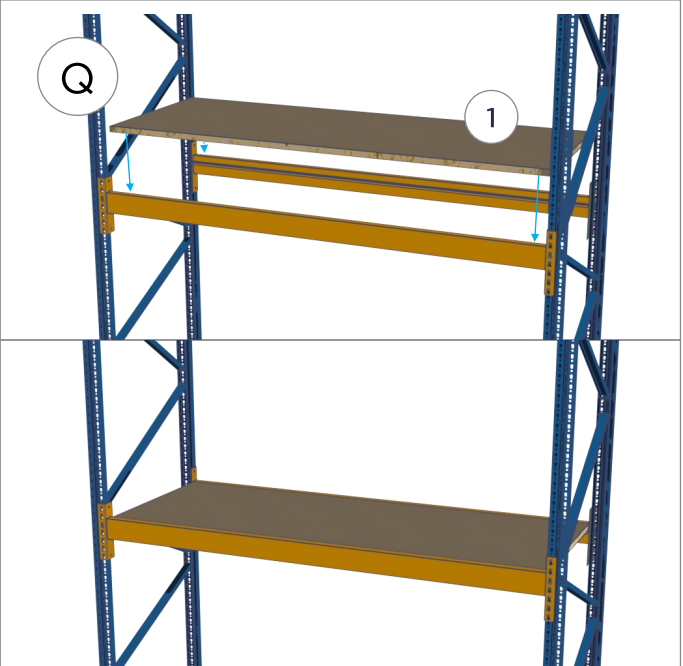
BEAMWIDTH 40 mm	
1	Depthb. 604015 L=1008 45- 84 wh= 4 R2008 SAP ID: 1029851
BEAMWIDTH 50 mm	
1	Depthb. 604015 L= 988 55- 84 wh= 4 R2008 SAP ID: 50240



BEAMWIDTH 40 mm	
1	Depthb. 604015 L=1008 45-104 wh=44 R2008 SAP ID: 1029853
2	Chipboard P4 38mm nat/nat 1805x 998 SAP ID: 55631
2	Chipboard P4 38mm nat/nat 2680x 998 SAP ID: 55638
BEAMWIDTH 50 mm	
1	Depthb. 604015 L= 988 55-104 wh=44 R2008 SAP ID: 54874
2	Chipboard P4 38mm nat/nat 3580x 978 SAP ID: 55639

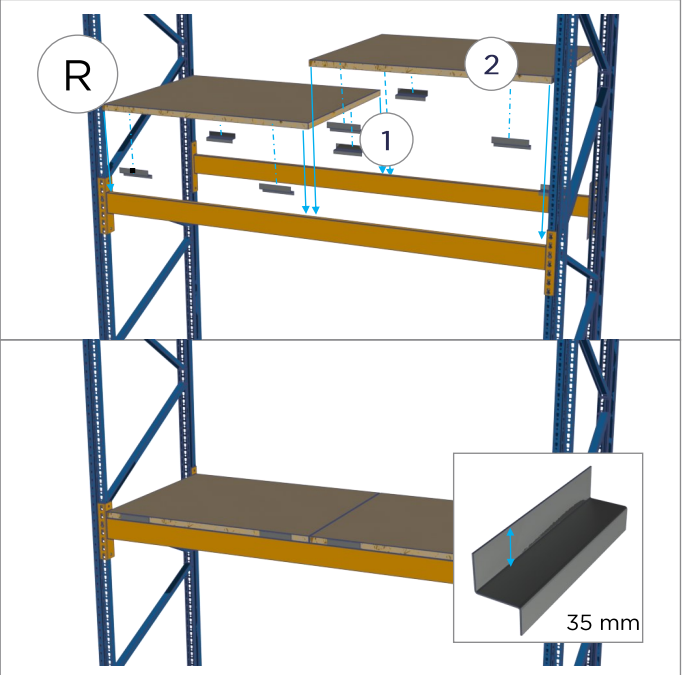


BEAMWIDTH 40 mm	
1	Chipboard P4 38mm nat/nat 1805x1008 SAP ID: 53329
1	Chipboard P4 38mm nat/nat 2680x1008 SAP ID: 53330
BEAMWIDTH 50 mm	
1	Chipboard P4 38mm nat/nat 3580x 988 SAP ID: 53354

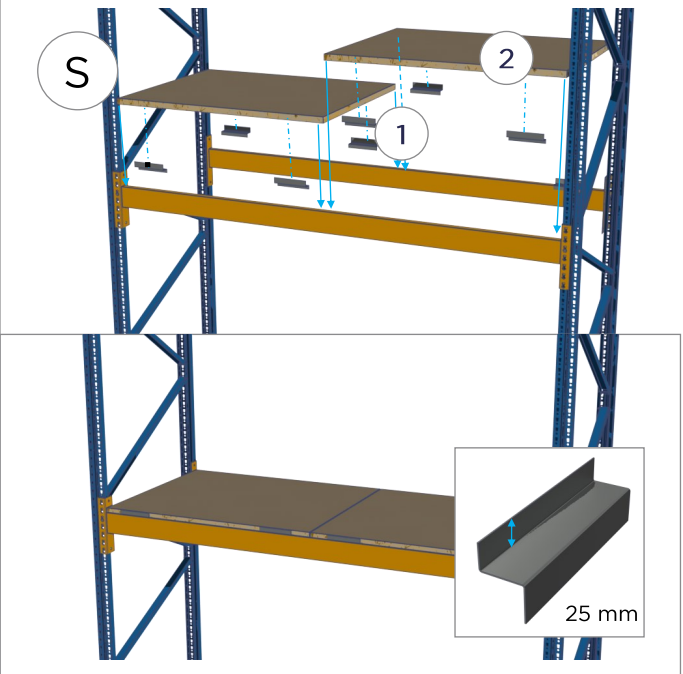




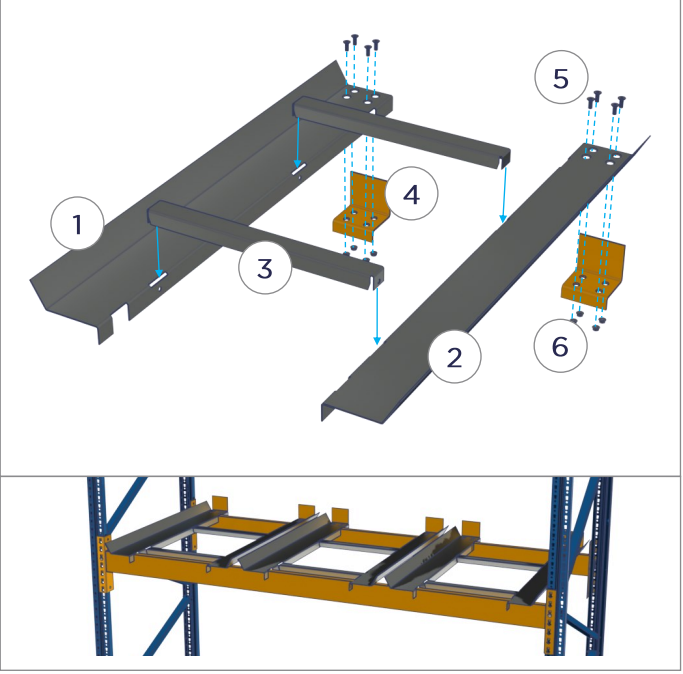
<b>BEAMWIDTH 40 mm</b>	
<b>1</b>	Chipboard supp.prof.28/38-40 beam, sendz SAP ID: 11154
<b>BEAMWIDTH 50 mm</b>	
<b>1</b>	Chipboard supp.prof.28/38-50 beam, sendz SAP ID: 45121
<b>2</b>	Chipboard P4 38 nat/nat 1805x1088 SAP ID: 53326
	Chipboard P4 38 nat/nat 2680x1088 SAP ID: 53327
	Chipboard P4 38 nat/nat 3580x1088 SAP ID: 53328



<b>BEAMWIDTH 40 mm</b>	
<b>1</b>	Chipboard supp.prof.28/38-40 beam SAP ID: 11154
<b>BEAMWIDTH 50 mm</b>	
<b>1</b>	Chipboard supp.prof.28/38-50 beam SAP ID: 45121
<b>2</b>	Chipboard P4 28 nat/nat SAP ID: ...

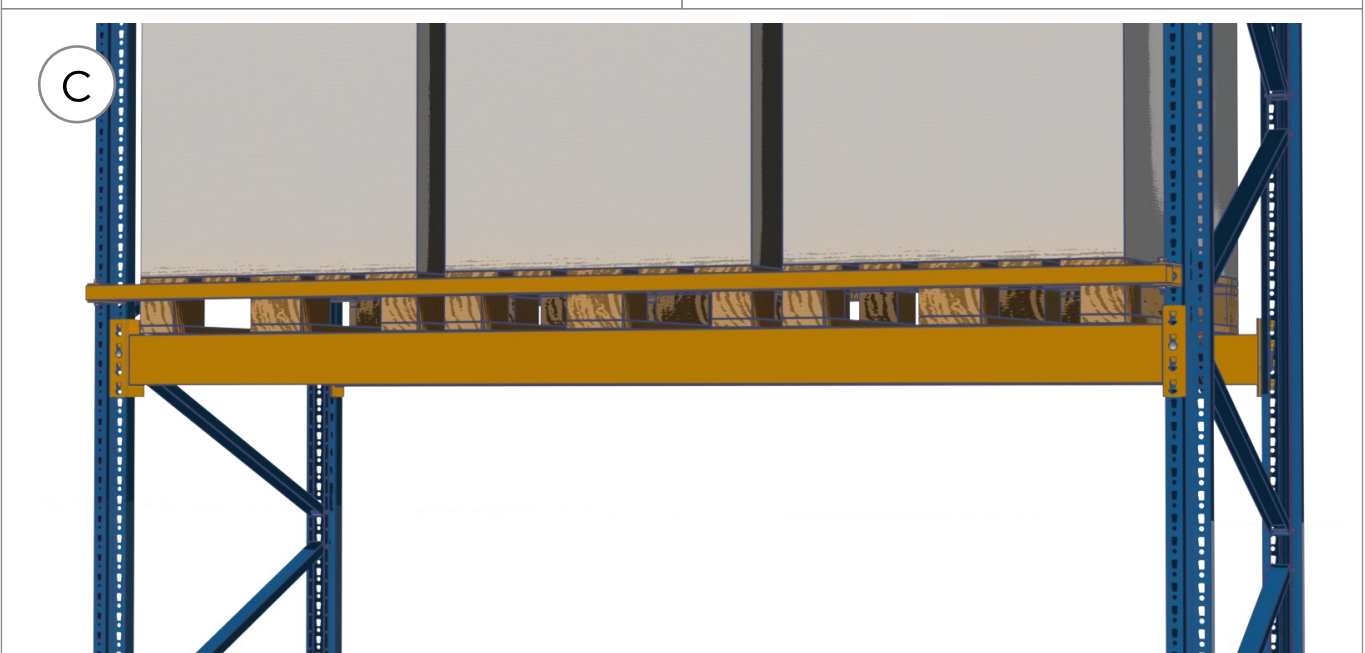
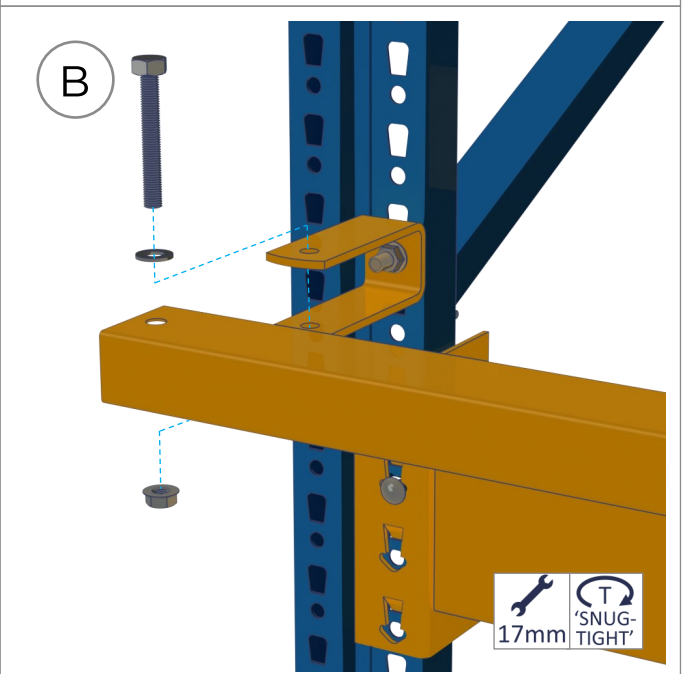
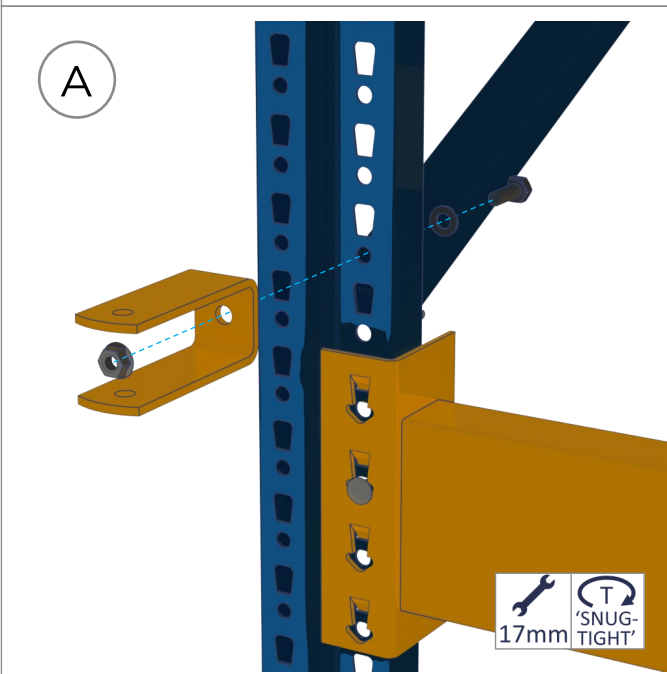
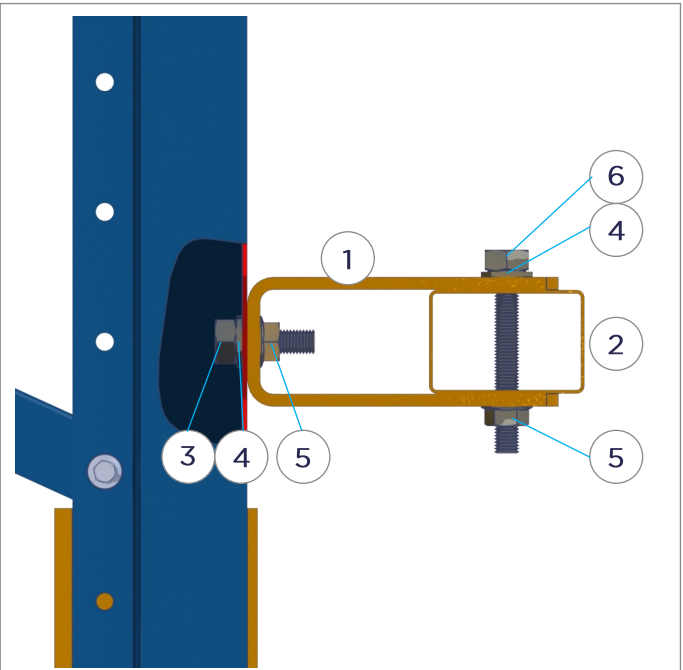


<b>1</b>	Container Supp. Guide Rail FD... Le, se SAP ID: 55380(1100) / 55402(0800)
<b>2</b>	Container Supp. Guide Rail FD... Ri, se SAP ID: 55401(1100)FD1100 / 55403(0800)
<b>3</b>	Container Supp. Spacer FD... L=..., se SAP ID: 55404(1100)(571) / 55405(0800)(971)
<b>4</b>	Container Support Safety backstop, R2008 SAP ID: 55407
<b>5</b>	Bolt hexsocket sunkhd M10x 25 znc 8.8 SAP ID: 1708
<b>6</b>	Nut hex toothed flange M10 znc 8.8 SAP ID: 1743



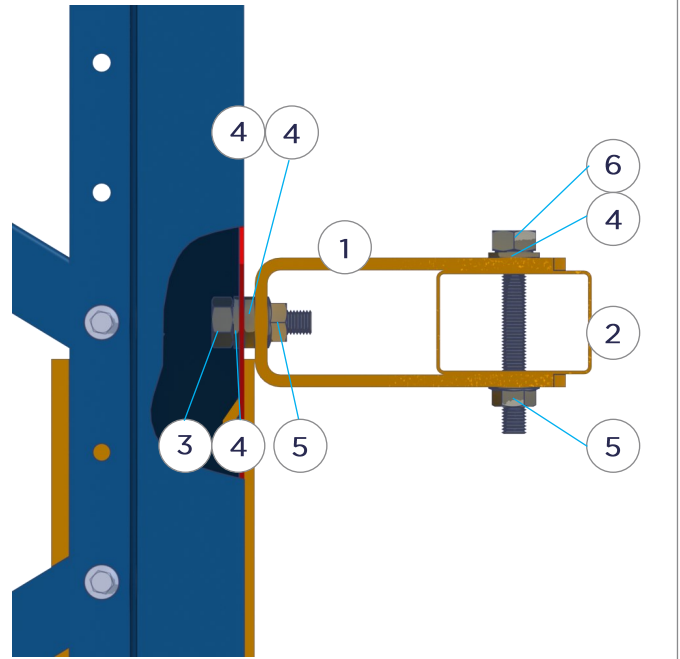


1	Safety backstop bracket Lc=100, R2008 SAP ID: 45164
2	Safety backstp RHS604015 ctc=..., R2008 SAP ID: 51212(1865) /51213(2340) /51214(2740) 51215(3340) /51216(3640)
3	Bolt tapping hexhd M10x30 znc 8.8 SAP ID: 1629
4	Washer nonchamfer M10 znc SAP ID: 2536
5	Nut hex toothed flange M10 znc 8.8 SAP ID: 1743
6	Bolt tapping hexhd M10x70 znc 8.8 SAP ID: 1637

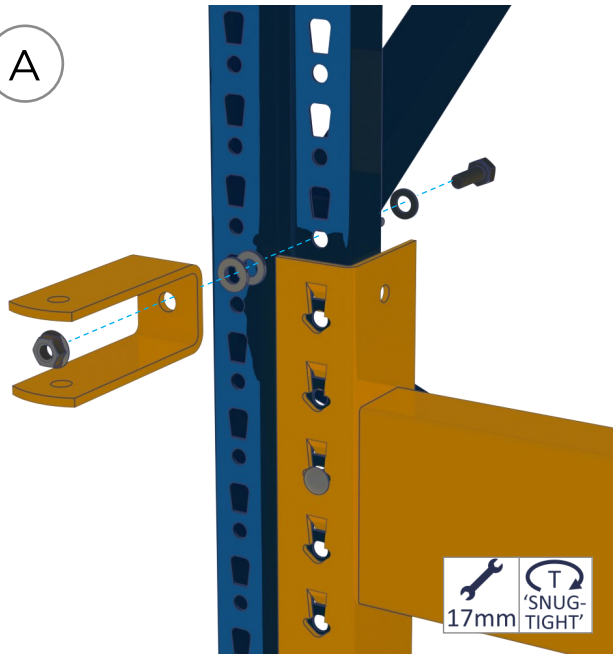




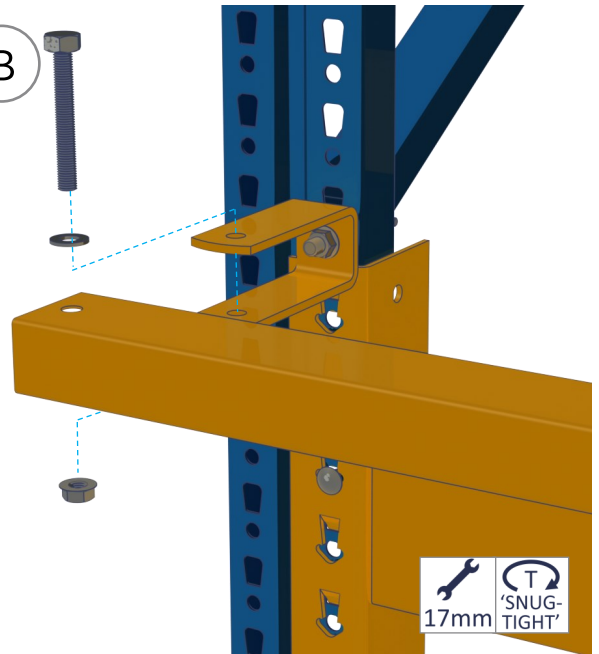
1	Safety backstop bracket Lc=100, R2008 SAP ID: 45164
2	Safety backstp RHS604015 ctc=..., R2008 SAP ID: 51212(1865) /51213(2340) /51214(2740) 51215(3340) /51216(3640)
3	Bolt tapping hexhd M10x30 znc 8.8 SAP ID: 1629
4	Washer nonchamfer M10 znc SAP ID: 2536
5	Nut hex toothed flange M10 znc 8.8 SAP ID: 1743
6	Bolt tapping hexhd M10x70 znc 8.8 SAP ID: 1637



A



B



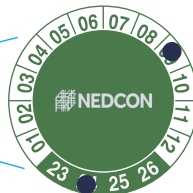
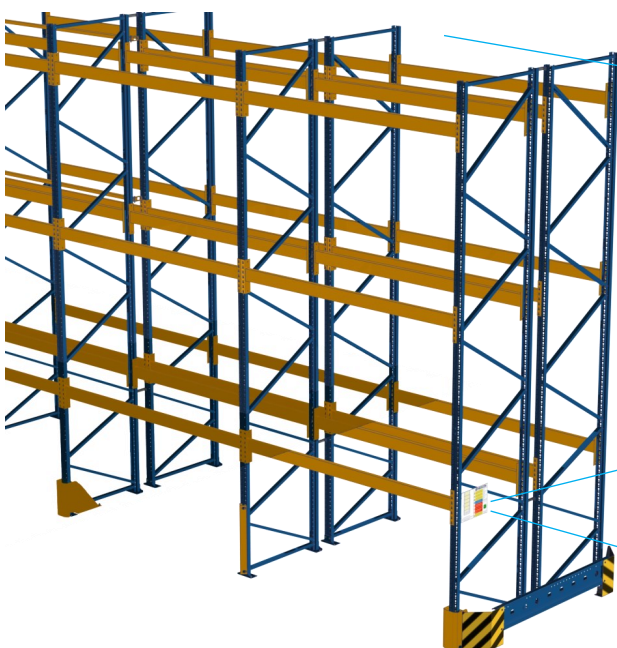
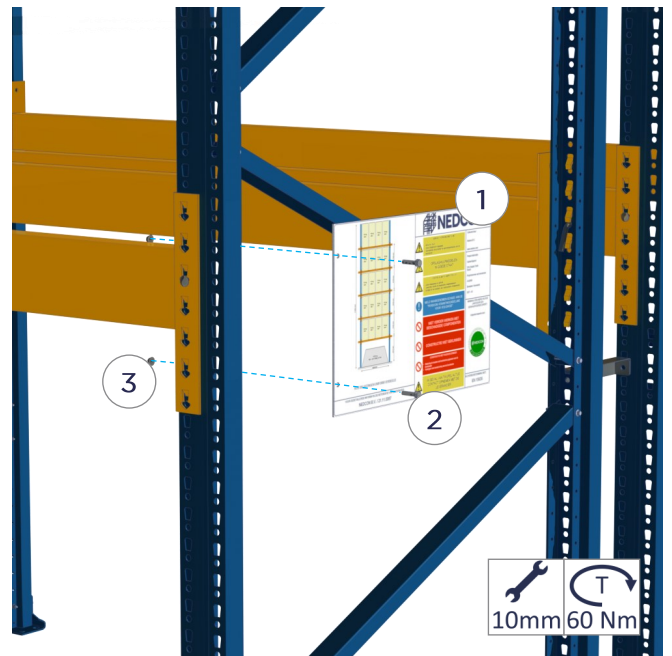
C







1	Load Sign Plate Supplier
2	Bolt tapping hexhd M6x 16 znc 8.8 SAP ID: 1604
3	Nut hex toothed flange M6 znc 8.8 SAP ID: 1741







**If it can be done,  
consider it done**

UPRIGHT FRAMES

080 67 20      100 68 20 4050      100 78 25 4050

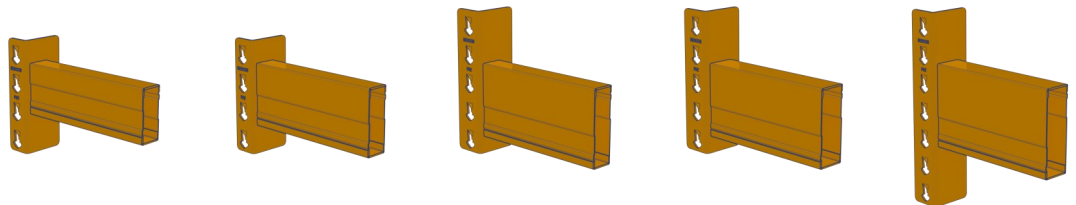
2500 mm   3000 mm   3500 mm   4000 mm   4500 mm   5000 mm   5500 mm   6000 mm   6500 mm   7000 mm   7500 mm

080 67 20 4050 PR      100 78 25 4050 PR

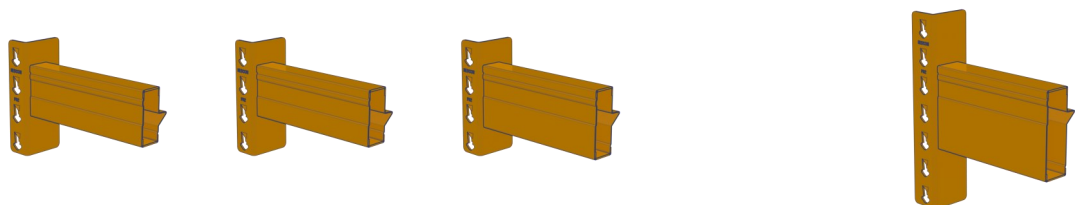
100 68 20 4050 PR

BEAMS

1825 mm      2300 mm      2700 mm      3300 mm      3600 mm

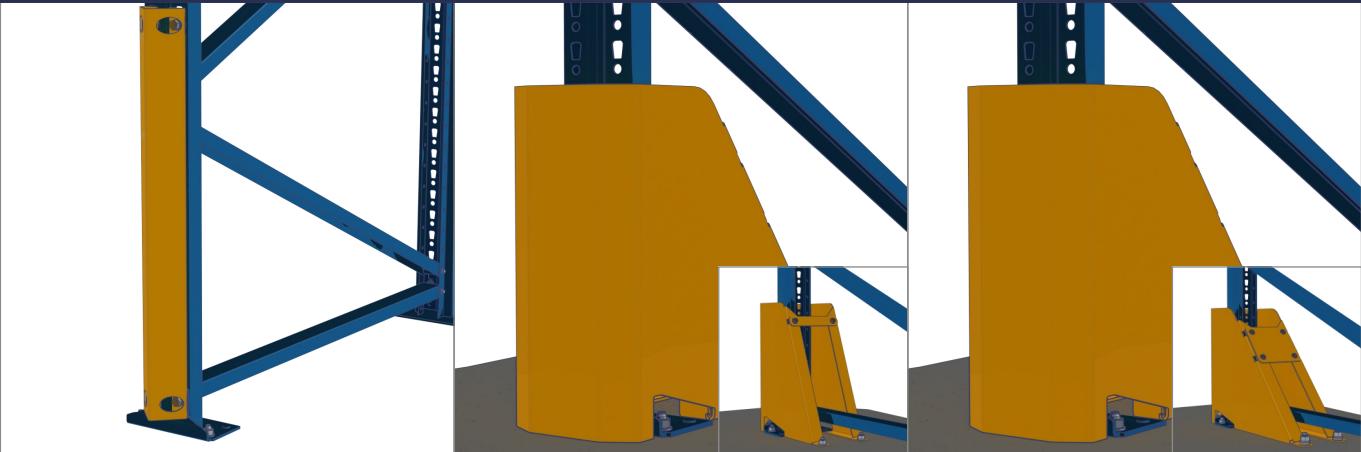


BEAM LENGTH	CC 090 40 15	CC 110 40 15	CC 0130 40 15	CC 130 50 15	CC 150 50 15
1825 mm	✓	✓			
2300 mm	✓	✓			
2700 mm	✓	✓	✓		
3300 mm				✓	✓
3600 mm				✓	✓



BEAM LENGTH	NC 090 40 15	NC 110 40 15	NC 0130 40 15		NC 150 50 15
2700 mm	✓	✓	✓		
3600 mm					✓

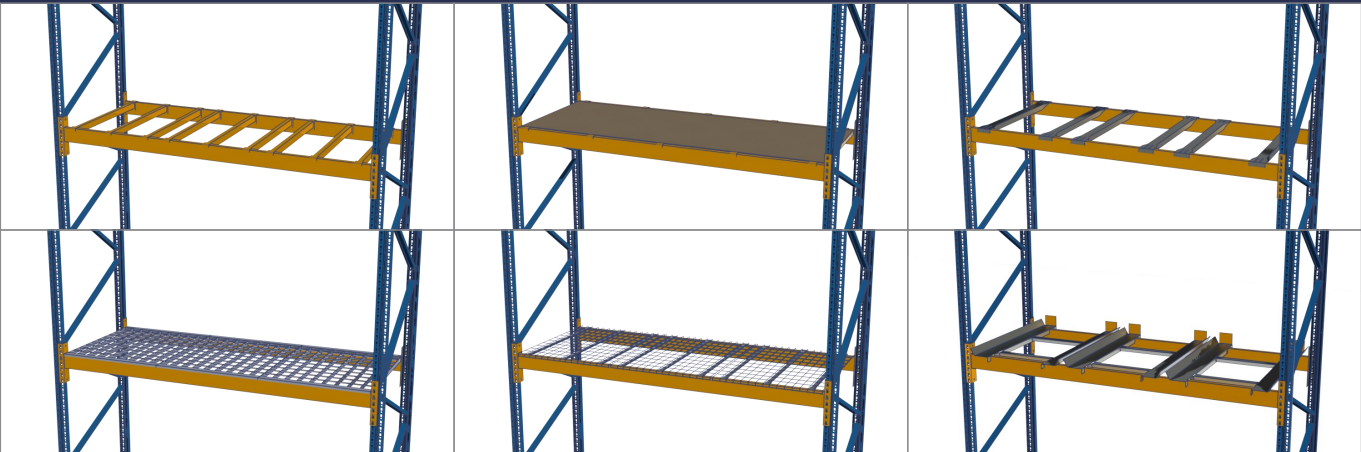
UPRIGHT PROTECTION



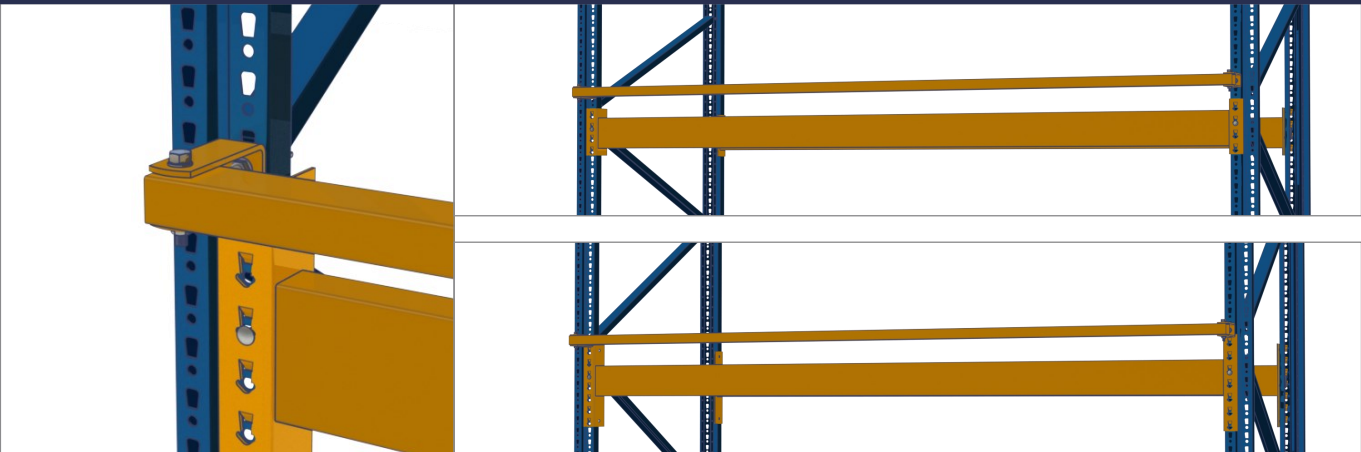
FRAME PROTECTION



DEPTHBEAM & BEAM ACCESSOIRES



SAFETY BACKSTOP





SAP ID	DESCRIPTION	SAP ID	DESCRIPTION
50259	Set Frame 806720 2500x1100 450_2, R5019	53590	Set Stiffener upright 080 MAN, R2008
50260	Set Frame 806720 3000x1100 450_2, R5019	53601	Set Stiffener upright 100 MAN, R2008
50311	Set Frame 806720 3500x1100 450_2, R5019	54642	Set Stiffener upright 120 MAN, R2008
50312	Set Frame 806720 4000x1100 450_2, R5019	54643	Set Stiffener upright 140 MAN, R2008
50313	Set Frame 806720 4500x1100 450_2, R5019		
50314	Set Frame 806720 5000x1100 450_2, R5019	54132	Set Defender 800 upr 080, complete
		54133	Set Defender 800 upr 100, complete
50315	Set Frame 1006820 2500x1100 450_2, R5019	54134	Set Defender 800 upr 120, complete
50316	Set Frame 1006820 3000x1100 450_2, R5019		
50317	Set Frame 1006820 3500x1100 450_2, R5019	54135	Set Defender 1500 upr 080, complete
50318	Set Frame 1006820 4000x1100 450_2, R5019	54136	Set Defender 1500 upr 100, complete
50319	Set Frame 1006820 4500x1100 450_2, R5019	54137	Set Defender 1500 upr 120, complete
50320	Set Frame 1006820 5000x1100 450_2, R5019		
50321	Set Frame 1006820 5500x1100 450_2, R5019	54138	Set Defender 3000 upr 080, complete
50322	Set Frame 1006820 6000x1100 450_2, R5019	54139	Set Defender 3000 upr 100, complete
50323	Set Frame 1006820 6500x1100 450_2, R5019	54140	Set Defender 3000 upr 120, complete
50324	Set Frame 1006820 7000x1100 450_2, R5019		
50325	Set Frame 1006820 7500x1100 450_2, R5019	54129	Anchor template Defender 1500/3000 U080
		54130	Anchor template Defender 1500/3000 U100
50330	Set Frame 1007825 5500x1100 450_2, R5019	54151	Anchor template Defender 1500/3000 U120
50331	Set Frame 1007825 6000x1100 450_2, R5019	54108	"1/2"" Drive CR-V Material Socket Ext. Bar"
50332	Set Frame 1007825 6500x1100 450_2, R5019		
50333	Set Frame 1007825 7000x1100 450_2, R5019	41379	Set Collision angle 303040/1
50334	Set Frame 1007825 7500x1100 450_2, R5019	41380	Set Collision angle 353540/3
		41377	Set Collision angle 135deg left
53109	Set Frame 806720 2500x1100 450_2, sendz	41378	Set Collision angle 135deg right
53110	Set Frame 806720 3000x1100 450_2, sendz		
53111	Set Frame 806720 3500x1100 450_2, sendz	50351	Set Flank protection sigma 135deg L=1100
53112	Set Frame 806720 4000x1100 450_2, sendz	50352	Set Flank protection sigma 135deg L=2400
53113	Set Frame 806720 4500x1100 450_2, sendz	50353	Set Flank protection sigma 90deg L=1100
53114	Set Frame 806720 5000x1100 450_2, sendz	50354	Set Flank protection sigma 90deg L=2400
		54188	Set Springy column, R5019
53115	Set Frame 1006820 2500x1100 450_2, sendz		
53116	Set Frame 1006820 3000x1100 450_2, sendz	54189	Set fixation sigma to collision angles
53117	Set Frame 1006820 3500x1100 450_2, sendz		
53118	Set Frame 1006820 4000x1100 450_2, sendz	1029851	Depthhb. 604015 L=1008 45- 84 wh= 4 R2008
53119	Set Frame 1006820 4500x1100 450_2, sendz	1029853	Depthhb. 604015 L=1008 45-104 wh=44 R2008
53120	Set Frame 1006820 5000x1100 450_2, sendz	50240	Depthhb. 604015 L= 988 55- 84 wh= 4 R2008
53121	Set Frame 1006820 5500x1100 450_2, sendz	54874	Depthhb. 604015 L= 988 55-104 wh=44 R2008
53122	Set Frame 1006820 6000x1100 450_2, sendz	55934	Depthbeam Light OB805015 FD0800, sendz
53123	Set Frame 1006820 6500x1100 450_2, sendz	55935	Depthbeam Light OB805015 FD1100, sendz
53124	Set Frame 1006820 7000x1100 450_2, sendz		
53125	Set Frame 1006820 7500x1100 450_2, sendz	51797	Grating panel 890x1100 mm, UDL=500kg
		54866	Mesh panel 880x1100 BW40 MantaMESH,glv UDL=750kg
53127	Set Frame 1007825 5500x1100 450_2, sendz	54867	Mesh panel 880x1100 BW50 MantaMESH,glv UDL=750kg
53129	Set Frame 1007825 6000x1100 450_2, sendz		
53131	Set Frame 1007825 6500x1100 450_2, sendz	54222	Set Chipboard P4 38mm 1805x1088, beam 40 UDL=150kg/m2
53133	Set Frame 1007825 7000x1100 450_2, sendz	54225	Set Chipboard P4 38mm 1805x1088, beam 50 UDL=150kg/m2
53135	Set Frame 1007825 7500x1100 450_2, sendz	54223	Set Chipboard P4 38mm 2680x1088, beam 40 UDL=150kg/m2
53137	Set Frame 1007825 8000x1100 450_2, sendz	54226	Set Chipboard P4 38mm 2680x1088, beam 50 UDL=150kg/m2
53139	Set Frame 1007825 9000x1100 450_2, sendz	54227	Set Chipboard P4 38mm 3580x1088, beam 50 UDL=150kg/m2
52114	Set Anchor Fischer FAZ II 12/10	53329	Chipboard P4 38mm Dfl nat/nat 1805x1008 UDL=150kg/m2
53322	Set chem.anchor Fischer RG M12x120 rd+cp	55631	Chipboard P4 38mm Dfl nat/nat 1805x 998 UDL=150kg/m2
53488	Pressure plate MAN 5.0 upr 100, R5019	53330	Chipboard P4 38mm Dfl nat/nat 2680x1008 UDL=150kg/m2
		55638	Chipboard P4 38mm Dfl nat/nat 2680x 998 UDL=150kg/m2
50346	Set Spacer frame NR bolted L=200, sendz	53354	Chipboard P4 38mm Dfl nat/nat 3580x 988 UDL=150kg/m2
41962	Spacer frame NR L=200, sendz	55639	Chipboard P4 38mm Dfl nat/nat 3580x 978 UDL=150kg/m2
41961	Spacer frame NR L=300, sendz		
41963	Spacer frame NR L=400, sendz	55408	Set Container support FD1100
3242	Set fixation M10x 25	55409	Set Container support FD1100 incl.backst
		55410	Set Container support FD0800
50335	Set Beam CC0904015A-275 PR2-4HK 1825	55411	Set Container support FD0800 incl.backst
50336	Set Beam CC0904015A-275 PR2-4HK 2300		
50337	Set Beam CC0904015A-275 PR2-4HK 2700	51259	Set Safety backstop BW=1825 Dist=70,2008
50338	Set Beam CC1104015A-275 PR2-4HK 1825	51260	Set Safety backstop BW=2300 Dist=70,2008
50339	Set Beam CC1104015A-275 PR2-4HK 2300	51271	Set Safety backstop BW=2700 Dist=70,2008
50340	Set Beam CC1104015A-275 PR2-4HK 2700	51272	Set Safety backstop BW=3300 Dist=70,2008
50341	Set Beam CC1304015A-275 PR2-5HK 2700	51273	Set Safety backstop BW=3600 Dist=70,2008
50342	Set Beam CC1305015A-275 PR2-5HK 3300		
50343	Set Beam CC1305015A-275 PR2-5HK 3600		
50344	Set Beam CC1505015A-355 PR2-7HK 3300		
50345	Set Beam CC1505015A-355 PR2-7HK 3600		
55258	Set Beam NC0904015A-275 PR2-4HK 2700		
55259	Set Beam NC1104015A-275 PR2-4HK 2700		
55260	Set Beam NC1304015A-275 PR2-5HK 2700		
55261	Set Beam NC1505015A-355 PR2-7HK 3600		